



Superb Conditions For Fine Wines

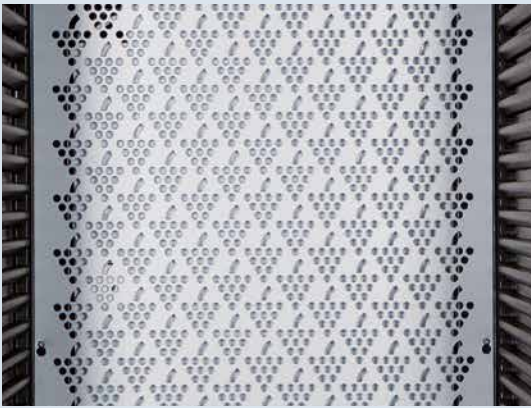
Quality, Design and Innovation



WKb 1712



LIEBHERR



Optimum humidity: Liebherr wine cabinets guarantee an optimum humidity and this ensured the corks are supple in place whilst still allowing the wine to breathe in its maturing process.



LED lighting: The tinted glass door provides not only a perfect UV protection, but also an optimum glance at wine. The integrated LED lighting ensures a pleasant illumination of the complete interior.



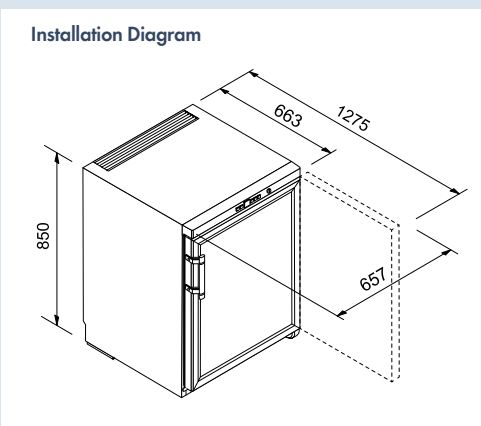
Wooden shelves: The wooden shelves are ideal for storing Bordeaux bottles. They can be stored in opposite directions to make full use of the capacity.

The **WKb 1712** wine cabinet, our most compact model from the Barrique series, can store up to 63 Bordeaux bottles. This unit ensures a constant temperature that can be set between +5 °C to +20 °C. Wines are stored optimally on three untreated height-adjustable wooden shelves. The activated charcoal filter is easy to replace and provides optimal air quality. Thanks to a tinted insulated glass door, high-quality wines are well protected from UV radiation. The LED lighting ensures that the interior is illuminated evenly and pleasantly so wines can be presented with illumination even over a longer period.

WKb 1712 Barrique

LED Wine

| | |
|---|-----------------------|
| °Energy consumption (kWh/yr) 24hr | °149 0.408 |
| Bottle capacity (750ml Bordeaux) | 63 |
| Safety glass door | • |
| Control system Display | Buttons Digital |
| Digital temperature display | External |
| Tinted glazed door | Double |
| Temperature zones | 1 |
| Temperature range (°C) Min Max °C | 5 20 |
| Suitable for ambient temperature Min Max °C | 10 43 |
| Interior light | Vertical LED |
| Beech wood shelves | 2 |
| Base shelves | 1 |
| Recirculated air cooling Fresh air supply via activated charcoal filter | • 1 |
| Child proof lock (control panel) | • |
| Handle design | Black stainless steel |
| Key lock Label holders | • • |
| Temp alarm Door open warning signal | • • |
| Door hinge | Right, reversible |
| Gross weight (kg) Net weight (kg) | 50 45 |
| Voltage (V) Rated Current (A) | 220-240 1.0 |
| Made In | Malaysia |



Activated Charcoal Filter
Part no.: YL9192811

° = Measurements taken at +25°C ambient and +12°C interior temperature tested by Liebherr Germany (not to Australian standards).

Note: Whilst every effort is made to ensure all specifications and information in this flyer are accurate, Liebherr reserves the right to make changes without notification. Where actual appliance measurements, specifications, and ratings are crucial, we recommend that the actual appliance installation instructions that accompany each appliance be checked. Liebherr will not be liable for any loss.