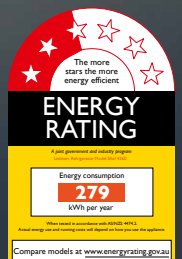
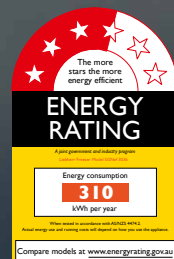


# A Spacious Refrigerator And Freezer All In One

Quality, Design and Innovation



SBSef 7242



# LIEBHERR



**SmartSteel:** With SmartSteel used on the appliance door the visibility of fingerprints is reduced, making it very easy to clean. Maintain this beautiful door exterior simply with a wipe of a clean, dry or damp cloth.



**Touch control system:** Our intuitive electronic touch control panel ensures all functions are easy and convenient to use as well as guarantees that the settings selected remain accurate and constant.



**SuperCool & SuperFrost:** The automatic SuperCool & SuperFrost reduce the temperatures to +2°C and 32°C respectively to assist with rapid cooling and freezing and reduce the likelihood that existing items will suffer from excessive temperature rise while the door is left open for loading or temperature transfer from added warmer items.

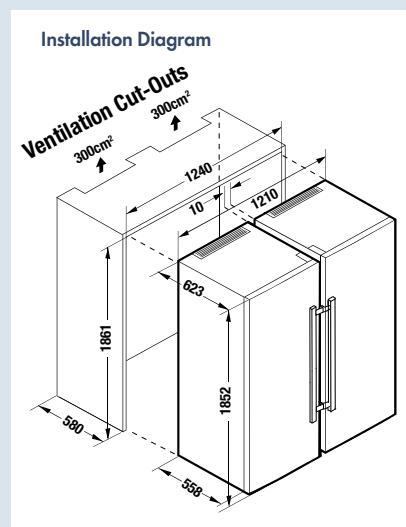
Liebherr's SmartSteel **SBSef 7242** freestanding side by side features SoftTouch MagicEye controls with LCD, LED lighting, plus SuperCool and SuperFrost functions (to chill or freeze quickly).

With an aluminium handle complete with integrated opening device, the door will always open with ease, even if recently closed. With 8 transparent freezer drawers there is ample space for those who like to buy in bulk.

**SBSef 7242**  
Comfort

No Frost	Smart Steel
----------	-------------

*Side-by-Sides comprised of two models	SGNef 3036	SKef 4260
Energy consumption (kWh/yr)   Star rating	310   3.5	279   2.5
Compressors	1	1
Total capacity litres (L) - Gross   Net	303   253	393   381
Refrigerator gross (L)   Refrigerator net (L)	-	393   381
Freezer gross (L)   Freezer net (L)	303   253	-
Control system   Display	Touch-Electronics   LCD	Touch-Electronics   LCD
Child proof setting for display & temperature	•	•
LED standard lighting	•	•
Handle   Integrated opening device	Aluminium   •	Aluminium   •
Temp alarm   Malfunction warning signal   Door open warning signal	•   •   •	-   •   •
Fruit & vegetable drawer on telescopic rails	N/A	2
SuperCool	N/A	•
GlassLine shelves	N/A	•
Elegant holding columns	N/A	•
Bottle shelf   Egg tray	Both N/A	•   •
Automatic refrigerator defrosting   Freezer defrosting	N/A   Frost Free	•   N/A
FrostSafe system with transparent drawers	•	N/A
Freezer drawers	8	N/A
SuperFrost	•	N/A
24hr freezing capacity (kg)	20	N/A
Door hinges	Left	Right
Voltage (V)   Rated Current (A)	220-240   1.3	220-240   1.2
Made in	Bulgaria	Bulgaria



Note: Whilst every effort is made to ensure all specifications and information in this flyer are accurate, Liebherr reserves the right to make changes without notification. Where actual appliance measurements, specifications, and ratings are crucial, we recommend that the actual appliance installation instructions that accompany each appliance be checked. Liebherr will not be liable for any loss.