

# Convenience At Your Fingertips

Quality, Design and Innovation



SUIG 1514

# LIEBHERR





**Door-on-door technology:** Allows custom panels to be affixed directly onto the appliance door so that the hinges are concealed, plus the cabinet and the fridge door open as one, ensuring a wide range of design options and easy installation.



**SoftSystem:** In built-in appliances, SoftSystem technology allows doors to close automatically and gently from 30° to eliminate slamming even when fully loaded.



The **SUIG 1514** undercounter freezer is suitable for Side-by-Side installation together with Liebherr's **SUIK 1510** undercounter fridge for integrated use.

Liebherr's **SUIG 1514** undercounter freezer is perfect for built-in Side-by-Side installation together with the **SUIK 1510** undercounter fridge. Airflow in our undercounter appliances enters and exits at the front of the appliance – this happens at plinth level or at the top edge of the unit depending on the model type. One advantage is that no ventilation grill is required in the worktop.

Additionally we have SoftSystem technology as an innovative solution for added safety and convenience. Integrated in the door, SoftSystem ensures that it closes automatically and gently from an opening angle of approximately 30°.

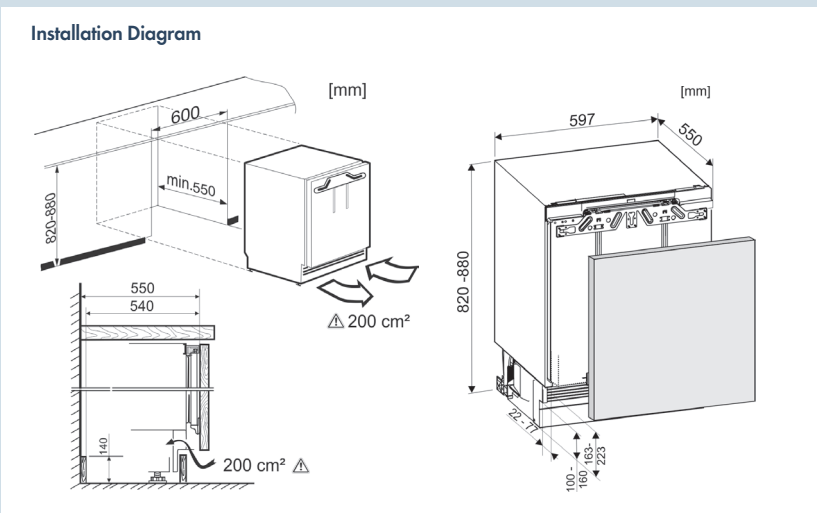
Opt for our high-quality and easy-to-fit optional extra stainless steel panel and handle to seamlessly integrate this model into your kitchen!

**SUIG 1514**  
Comfort

Smart Frost

Soft System

Energy consumption (kWh/yr)   Star rating	139   4.5
Compressors	1
Total Usable Litres	95
Freezer Usable Litres	95
Control system   Display	•   DIGITAL
SoftSystem hinge - assists closure	•
115° door opening	•
Temperature alarm   Malfunction warning signal	•   •
Optional extra stainless steel panel & handle	•
Freezer defrosting	Manual
Cooling system	SmartFrost
FrostSafe system - transparent drawers	•
Freezer drawers	3
SuperFrost	•
VarioSpace	•
24hr freezing capacity (kg)	12
Door hinges	Left, reversible
Voltage (V)   Rated Current (A)	220-240 / 1.3
Made in	Germany



*Note: Whilst every effort is made to ensure all specifications and information in this flyer are accurate, Liebherr reserves the right to make changes without notification. Where actual appliance measurements, specifications, and ratings are crucial, we recommend that the actual appliance installation instructions that accompany each appliance be checked. Liebherr will not be liable for any loss.*