



**FREESTANDING SINGLE UNITS**

**SGNes 3010**



**LIEBHERR**

Quality, Design and Innovation

# LIEBHERR FREESTANDING SINGLE FREEZER SGNes 3010



**Smart Steel**

**No Frost**

**3 Year Warranty**



Model	SGNes 3010
Type   Finish	FS   SmartSteel®
Energy consumption (kWh/yr)   Star rating	310kWh   3.5
Compressors	1
Total capacity litres (L) - Gross   Net	304   261
Freezer gross (L)   Freezer net (L)	304   261
MagicEye control system   Display	SoftTouch   LCD
Child proof setting for display & temp.	•
LED standard lighting	•
SlimLine handle - integrated opening device	•
Door open warning signal	•
Temperature alarm	•
Malfunction warning signal	•

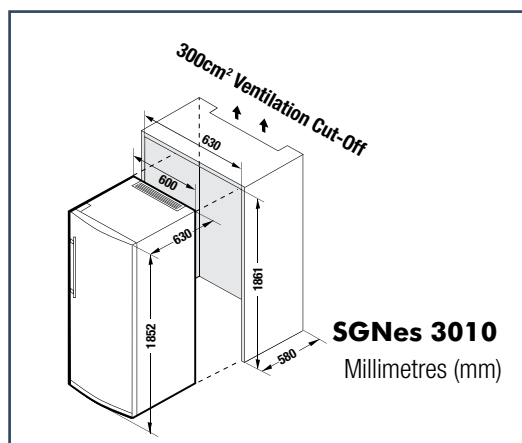
### Freezer Features

Freezer defrosting	Frost Free
FrostSafe system with transparent drawers	•
Freezer drawers	8
SuperFrost	•
24hr freezing capacity (kg)	20
Cold storage accumulators	2

### Technical Information

Default hinge	Left
Voltage (V)   Rated Current (A)	220-240   1.3
Made in	Germany

KEY: FS = Freestanding, ° = SmartSteel is only on doors. When a single appliance is fitted together with a second appliance (as a SBS combination), proceed according to the Side-by-Side combined fridge-freezer niche requirements and installation instructions. Cavity clearance for freestanding units please allow min. 50 mm above the unit if there is no ventilation cut-out.



Whilst every effort is made to ensure all specifications and information in this flyer are correct at time of printing, Andi-Co Australia Pty. Ltd. reserve the right to make changes without notification. Where actual appliance measurements, specifications and ratings are crucial, we recommend that the actual appliance installation instructions that accompany each appliance be checked. Andi-Co Australia will not be liable for any loss.