



GV251130

Included accessories

- 50 x vacuuming bag small
- 50 x vacuuming bag big
- 1 x raised vacuuming platform
- 1 x adaptor f. vacuuming outside the chamber
- 1 x vacuuming hose
- 1 x adaptor for bottle plugs
- 3 x plugs for vacuuming of bottles

vacuuming drawer Gaggenau Minimalistic series
60 x 14 cm, Gaggenau Sterling
GV251130

- Three adaptive vacuum levels for optimal food preservation and sous-vide preparation
- Hygienic stainless steel interior for a easy to clean and long lasting appliance
- Multiple accessories ensure food freshness and quality, extending shelf life
- Handleless opening with a light push for convenience and style
- Seamlessly integrated with multiple Gaggenau appliances, offering flexibility and a harmonious aesthetics

Highlights

Integrable in 14 cm high niche.
Hygienic stainless steel vacuuming chamber, applicable height up to 80 mm.
3 vacuuming levels for vacuuming in the chamber, max. 99%.
3 vacuuming levels for vacuuming outside the chamber, max. 90%.
Automatic connection recognition for vacuuming outside the chamber.
Flush installation.
Handleless drawer.
Push-to-open function.

Application

Vacuuming for sous-vide cooking.
Vacuuming for fast marinating and flavouring.
Vacuuming for extended storage.
Vacuuming of vacuuming containers outside the chamber.
Vacuuming of liquids in bottles outside the chamber.

Handling

Touch key operation.

Features

Net volume 7 litres.
Capacity load max. 10 kg.
Maximum size of vacuuming bags W 240 mm x L 350 mm.
3 heat-sealing levels for different strengths of bag material.
Sealing bar, non-stick coating, removable.
Safety glass cover, opens automatically after vacuuming.
Raised vacuuming platform, 44 mm, deployable.
Utility space in vacuuming chamber, W 210 mm x L 275 mm.
Membrane for avoiding reflow of liquids during vacuuming outside the chamber.
Drying programme for vacuuming pump.

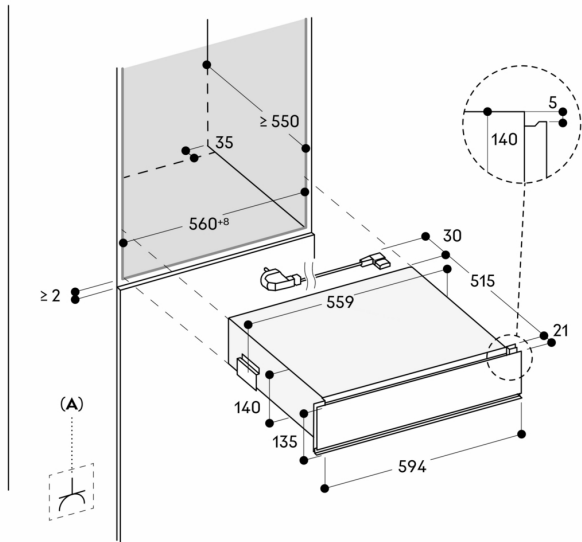
Planning notes

Plan the niche without back wall.
Protrusion from appliance front to furniture cabinet 21 mm.
Installation of GO/GS/GM/GC directly above the drawer without intermediate shelf.
Drawers installed above a dishwasher need a specific niche.
The socket can be planned behind the appliance.
Special accessories (order as spare parts):
Part No. 00578813 vacuuming bags, small

Part No. 00578814 vacuuming bags, big.

Connection

Total connected load 0.32 KW.
Connection cable 1.50 m, pluggable.



A: Accessible electrical connection
Measurements in mm