

VACUUM-SEALING DRAWER

GV2511.0

GAGGENAU



You can find additional information and explanations online.
Scan the QR code on the title page.



Table of contents

INFORMATION FOR USE

1	Safety	2	9	Vacuum-sealing in the container	8
2	Avoiding material damage	3	10	Drying	9
3	Environmental protection and saving energy	4	11	Cleaning and servicing	9
4	Before using for the first time	4	12	Troubleshooting	10
5	Familiarising yourself with your appliance	4	13	How it works	11
6	Accessories	5	14	Disposal	13
7	Basic operation	6	15	Customer Service	14
8	Vacuum-sealing in the bag	6	16	INSTALLATION INSTRUCTIONS	14
			16.4	Safe installation	15

1 Safety

Observe the following safety instructions.

1.1 Definition of the signal words

This is where you can find explanations for the safety signal words used in this manual.

WARNING

This indicates that death or serious injuries may occur as a result of non-observance of this warning.

ATTENTION

This indicates that damage to the appliance or other material damage may occur as a result of non-compliance with this warning.

Note: This alerts you to important information.

1.2 General information

- Read this instruction manual carefully.
- Keep the instruction manual and the product information safe for future reference or for the next owner.
- Do not connect the appliance if it has been damaged in transit.

1.3 Intended use

Only use this appliance:

- To vacuum-seal food in suitable vacuum-sealing bags or containers and to heat-seal film.
- in private households and in enclosed spaces in a domestic environment.

- Up to an altitude of 4000 m above sea level.

1.4 Restriction on user group

This appliance may be used by children aged 8 or over and by people who have reduced physical, sensory or mental abilities or inadequate experience and/or knowledge, provided that they are supervised or have been instructed on how to use the appliance safely and have understood the resulting dangers.

Do not let children play with the appliance. Children must not perform cleaning or user maintenance unless they are at least 15 years old and are being supervised.

Keep children under the age of 8 years away from the appliance and power cable.

1.5 Safe use

WARNING – Risk of burns!

The heat-sealing bar in the vacuum-sealing compartment becomes extremely hot if the appliance is used frequently and there are long heat-sealing times.

- ▶ Never touch the hot heat-sealing bar.
- ▶ Keep children at a safe distance.

WARNING – Risk of electric shock!

An ingress of moisture can cause an electric shock.

- ▶ Do not use steam- or high-pressure cleaners to clean the appliance.

If the appliance or the power cord is damaged, this is dangerous.

- ▶ Never operate a damaged appliance.
- ▶ Never pull on the power cord to unplug the appliance. Always unplug the appliance at the mains.
- ▶ If the appliance or the power cord is damaged, immediately unplug the power cord or switch off the fuse in the fuse box.
- ▶ Call customer service. → *Page 14*

Improper repairs are dangerous.

- ▶ Repairs to the appliance should only be carried out by trained specialist staff.
- ▶ Only use genuine spare parts when repairing the appliance.
- ▶ If the power cord or the appliance power cable of this appliance is damaged, it must be replaced with a special power cord or special appliance power cable, which is available from the manufacturer or its Customer Service.
- ▶ If the power cord of this appliance is damaged, it must be replaced by trained specialist staff.

If the insulation of the power cord is damaged, this is dangerous.

- ▶ Never let the power cord come into contact with heat sources.
- ▶ Never let the power cord come into contact with sharp points or edges.
- ▶ Never kink, crush or modify the power cord.

⚠ WARNING – Risk of fire!

The heat-sealing bar in the vacuum-sealing compartment becomes extremely hot. Combustible vapours may ignite.

- ▶ Do not vacuum-seal any combustible liquids in the vacuum-sealing bag.

- ▶ Do not store any combustible materials and objects inside the appliance.

⚠ WARNING – Risk of injury!

The smallest cracks in the glass lid may result in it imploding when the vacuum is attached.

- ▶ Unplug the appliance from the mains or switch off the circuit breaker in the fuse box.
- ▶ Call after-sales service.

Any misuse of the vacuum-sealing drawer may lead to injury.

- ▶ Do not insert any hoses that are connected to the appliance into any body cavities.
- ▶ Do not vacuum-seal any living animals.

⚠ WARNING – Risk of harm to health!

During the vacuuming process, the vacuum-sealing compartment and the glass lid deform. The protective layer on the glass may be damaged and the glass lid may break.

- ▶ Screw-top jars, other hard containers, and non-deformable food that are vacuum-sealed in the compartment when the lid is closed must not come into contact with this lid.
- ▶ Hard containers and non-deformable food must not protrude over a maximum height of 80 mm.

⚠ WARNING – Risk of suffocation!

Children may put packaging material over their heads or wrap themselves up in it and suffocate.

- ▶ Keep packaging material away from children.
- ▶ Do not let children play with packaging material.

Children may breathe in or swallow small parts, causing them to suffocate.

- ▶ Keep small parts away from children.
- ▶ Do not let children play with small parts.

2 Avoiding material damage

ATTENTION

Damage to the appliance may affect the safety considerably.

- ▶ Check the appliance for damage before each use.
- ▶ Check that the glass lid is intact.
- ▶ Never use a damaged appliance.
- ▶ Call after-sales service.

Using the appliance carelessly may cause damage to the appliance.

- ▶ Open and close the glass lid slowly.
- ▶ Do not place any objects on the glass lid.
- ▶ Do not use the appliance as a work surface or storage space.
- ▶ Do not let any objects fall onto the glass lid.

- ▶ Pull the drawer out completely during use.
 - ▶ After use, close the drawer completely.
- Foreign objects in the vacuum-sealing compartment damage the appliance.

- ▶ Before closing the glass lid, ensure that there is no debris in the vacuum-sealing compartment.

If the seal is sitting incorrectly or is damaged, this impairs the function of the appliance and may damage the appliance.

- ▶ Check that the seal is positioned correctly on the glass lid.
- ▶ The seal's contact surface must be clean and free from debris.

- ▶ Do not damage the seal with pointed or sharp objects.
 - ▶ Never operate an appliance with a defective seal.
 - ▶ If a seal is defective, contact after-sales service.
- Using tools to open the glass lid damages the appliance.
- ▶ In the event of a power cut during the vacuum-sealing process, wait until the power supply is restored. The vacuum in the vacuum-sealing compartment is retained. Restart the vacuum-sealing process.
- Escaping steam caused by boiling at excessive temperatures may lead to malfunctions.
- ▶ Only use bags that are suitable for vacuum-sealing food.

- ▶ Do not use any sales packages that have already been opened.
 - ▶ Process the food that is to be vacuum-sealed at an output temperature of 1–8 °C.
 - ▶ Do not vacuum-seal liquids in the vacuuming bag at the highest level. Recommendation: Use vacuuming level 2.
 - ▶ Heat-seal the bag if you notice an intensified formation of bubbles.
- Moisture may damage the appliance.
- ▶ Do not use the appliance to store food and drinks. The humidity of the food may cause corrosion damage.

3 Environmental protection and saving energy

3.1 Disposing of packaging

The packaging materials are environmentally compatible and can be recycled.

- ▶ Sort the individual components by type and dispose of them separately.

4 Before using for the first time

Prepare the appliance for use.

4.1 Cleaning the appliance before using it for the first time

Note: Once the mains plug is connected, a signal tone sounds. The indicators light up one after the other.

Requirement: There are no objects in the appliance.

1. Press on the appliance's front panel.
- ✓ The appliance opens and can be pulled out as far as it will go by the sides or underside of the front panel.
2. Remove the raised vacuum-sealing platform.
3. Clean the appliance with a damp cloth and a neutral cleaning agent, such as washing-up liquid and water.

5 Familiarising yourself with your appliance

5.1 Function

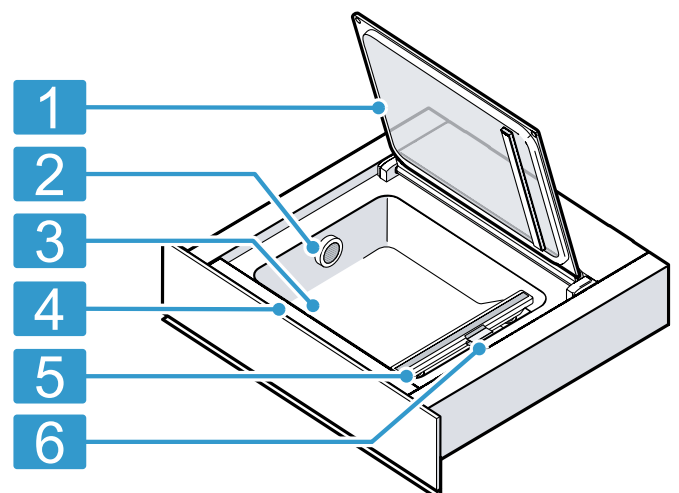
During the vacuum-sealing process, air is pumped out of the vacuum-sealing compartment and the bag. This produces a high vacuum in the compartment. The higher the vacuum-sealing level, the less air remains in the compartment and the bag, and the higher the pressure difference to the environment.

Once the selected vacuum-sealing level has been reached, the heat-sealing bar is pressed against the silicone bar on the glass lid. During this, the bag is heat-sealed.

After a short cooling time, air flows back into the compartment, creating a loud noise. During this process, the bag suddenly contracts and encloses the food. The drawer's glass lid then opens.

5.2 Appliance

You can find an overview of the parts of your appliance here.



-
- | | |
|---|----------------------------|
| 1 | Glass lid |
| 2 | Air outlet |
| 3 | Vacuum-sealing compartment |
| 4 | Control panel |
-

5 Heat-sealing bar**6** Bag clamp**5.3 Control elements**

You can use the control panel to configure all functions of your appliance and to obtain information about the operating status.



Symbol	Meaning	Explanation
	Switch on Switching off	Switching on the appliance Switching off the appliance
	Vacuum-sealing level	Selecting the vacuum-sealing level
	Heat-sealing time	Selecting a heat-sealing time Heat-seal the vacuum-sealing bag early
	Start	Starting the vacuum-sealing process
	Stop	Cancelling the vacuum-sealing process
	Drying	Drying the pump
	Note	Referring to the fault table

5.4 Vacuum-sealing levels

The vacuum-sealing levels 1 to 3 achieve different degrees of vacuum. When vacuum-sealing in the container, the degrees of vacuum are lower and therefore better suited for the particular food. When the external vacuum adapter is at-


tached, the appliance automatically detects which mode has just been activated.

Vacuum-sealing levels Indicator	1	2	3
Vacuum-sealing in the bag	●	●●	●●●
Vacuum-sealing containers and bottles	80 %	95 %	99 %

6 Accessories

Use original accessories. These have been made especially for your appliance.

Accessories	Property	Use
Vacuum-sealing platform		As a surface for flat food that is to be vacuum-sealed in the compartment.
External vacuum-sealing adapter		Vacuum-sealing containers or bottles.
Bottle caps		Vacuum-seal and seal bottles.
Bottle adapter		Connect bottle caps to the vacuum hose.

Accessories	Property	Use
Vacuum hose		Connect the external vacuum-sealing adapter to the vacuum-sealing container or the bottle adaptor.
Vacuum-sealing bag	180 x 280 mm (50 pcs) 240 x 350 mm (50 pcs)	

6.1 Other accessories

You can purchase other accessories from our customer service, specialist retailers or online.

You will find a comprehensive range of products for your appliance in our brochures and online:

www.gaggenau.com

Accessories are appliance-specific. When purchasing accessories, always quote the exact product number (E no.) of your appliance.

You can find out which accessories are available for your appliance in our online shop or from our customer service.

Other accessories	Customer service order number
Vacuum-sealing bag 180 x 280 mm (100 pcs)	00578813
Vacuum-sealing bag 240 x 350 mm (100 pcs)	00578814

7 Basic operation

7.1 Opening the appliance

- ▶ Press on the appliance's front panel.
- ✓ The appliance opens and can be pulled out as far as it will go by the sides or underside of the front panel.

7.2 Closing the appliance

- ▶ Slide the appliance in until it engages.

7.3 Switching on the appliance

- ▶ Press .

7.4 Switching off the appliance

If you do not perform any actions on the appliance for 10 minutes, the appliance automatically switches off.

- ▶ Press .

8 Vacuum-sealing in the bag

In the bag, vacuum-sealed food has a longer shelf life. You can therefore marinate the food or prepare for sous-vide cooking.

8.1 Suitable vacuum-sealing bags

Use suitable vacuum-sealing bags in order to achieve an optimum result.

- Use the original vacuum-sealing bags that are enclosed with the appliance or can be ordered as accessories.
 - These bags are suitable for a temperature range of -40 °C–100 °C.
 - The optimum heat-sealing time for these bags is level 2.
 - The bags are suitable for use in the microwave. Pierce the bags before you heat them up in the microwave.

Only use bags that are suitable for vacuum-sealing food.

Commercially available products are different when it comes to the quality of the food, temperature resistance, material and surface.

The heat-sealing time for the vacuum-sealing bag always depends on the material from which it is made.

- Thin-walled bag: Heat-sealing level 1
- Thicker material: Heat-sealing level 2 or higher

Use bags with a maximum width of 240 mm.

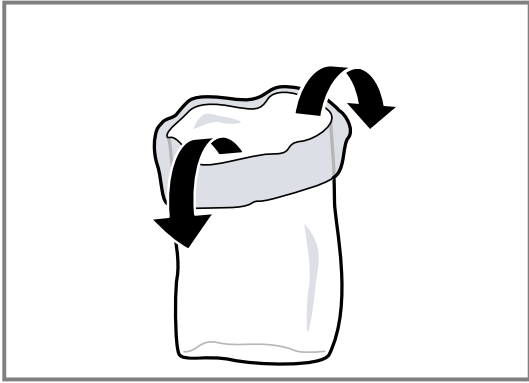
The length of the heat-sealing bar limits the size of the vacuum-sealing bag that can be used.

8.2 Filling the bag

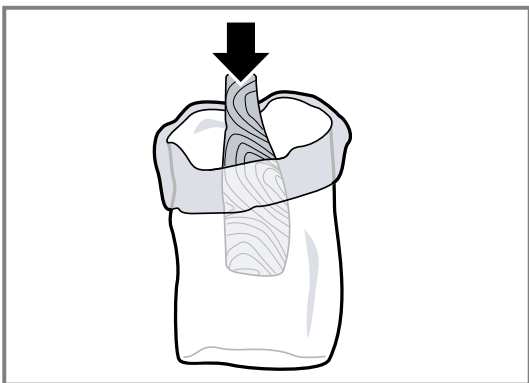
Requirements

- The edge of the bag is clean and dry.
- There is no food residue around the edge of the bag in the area around the seam.

1. Fold over the edge of the bag outwards by approx. 3 cm.



2. Where possible, position the items of food in the vacuum-sealing bag next to each other.



3. Fold the edge of the bag back.



Tip: To ensure that you can keep track of your bags and the food that is vacuum-sealed within them, make a note on the bag of the date of the vacuum-sealing along with the contents.

8.3 Vacuum-sealing in the bag

⚠ **WARNING – Risk of burns!**

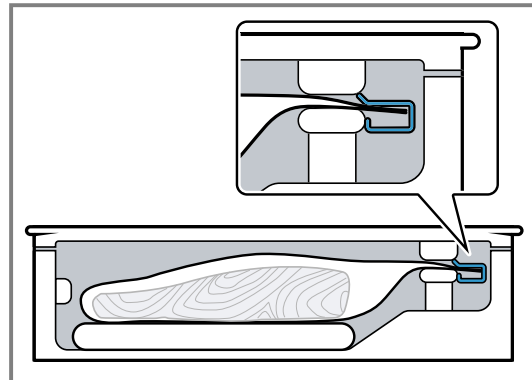
The heat-sealing bar in the vacuum-sealing compartment becomes extremely hot if the appliance is used frequently and there are long heat-sealing times.

- ▶ Never touch the hot heat-sealing bar.
- ▶ Keep children at a safe distance.

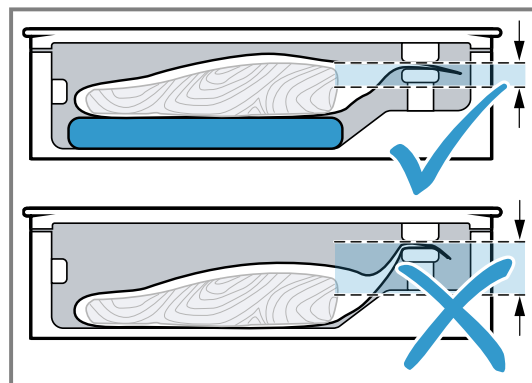
Requirement: The initial temperature of the food is ideally in the range of 1–8 °C.

1. Open the glass lid.
2. Place the vacuuming bag in the compartment and secure using the bag clamp.

3. Make sure that the air outlet is not covered so that the pump can extract the air from the compartment.
4. Ensure that the centre of the bag and the ends of the bag are lying flat on top of each other on the heat-sealing bar. To ensure that the heat-sealing seam is perfectly closed, secure the bag using the bag clamp.



5. Use the vacuum-sealing platform so that the bag does not slip.



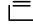
6. Press to select the vacuum-sealing level.
7. Press to select the heat-sealing time.
8. Tightly close the glass lid and hold it there for a few seconds.
9. Press to start the vacuum-sealing process.
- ✓ The vacuum-sealing process starts. The vacuum-sealing level indicators pulsate in orange one after the other until the selected value has been reached.
- ✓ The heat-sealing process starts. The vacuum-sealing level indicators pulsate in orange one after the other until the selected level has been reached.
- ✓ The vacuum-sealing process can take up to 1 minute.
- ✓ At the end of the process, the compartment is ventilated. A signal tone sounds.
10. Once the vacuum-sealing process is finished, open the glass lid.
11. Remove the heat-sealed vacuum-sealing bag from the compartment.
12. After vacuum-sealing, check the heat-sealing seam on the bag.
 - ▶ Carefully pull the seam apart.
 - ▶ If the seam does not stay together, select a higher heat-sealing level.
 - ▶ If the seam is deformed, select a lower heat-sealing level or leave the appliance to cool down.


Note: If you vacuum-seal food in bags several times in succession, the heat-sealing bar becomes increasingly hotter. This may impair the quality of the heat-sealing seam. After several vacuum-sealing processes, select a

lower heat-sealing time or leave the appliance to cool for approx. 2 minutes between the processes.


8.4 Early heat-sealing

Use this function if you only want to pack your delicate food in a bag so that it is air-tight, without the contents sitting too tightly against the bag. Also use this function if bubbles are forming in the liquids in the bag.

1. To stop the vacuum-sealing process and heat-seal the bag early, press .
- ✓ The appliance displays the vacuum-sealing level until it is reached.
- ✓ At the end of the process, the compartment is ventilated.
- ✓ An audible signal sounds.
2. Open the glass lid.
3. Remove the heat-sealed vacuum-sealing bag from the compartment.

Note: To heat-seal the bag, the appliance requires a specific degree of vacuum. If you press  first, the appliance pumps air out of the compartment until this degree has been reached. The bag is then heat-sealed.

8.5 Cancelling the vacuum-sealing process in the bag

1. To cancel the vacuum-sealing process early, press .
 - ✓ The appliance displays the vacuum-sealing level until it is reached.
 - ✓ The bag is not heat-sealed.
 - ✓ The lid opens slightly and the compartment is ventilated.
 - ✓ An audible signal sounds.
2. Remove the vacuum-sealing bag from the compartment.

9 Vacuum-sealing in the container

In the container, vacuum-sealed food has a longer shelf life.

9.1 Suitable vacuum-sealing containers

Use suitable vacuum-sealing containers in order to achieve an optimal result.

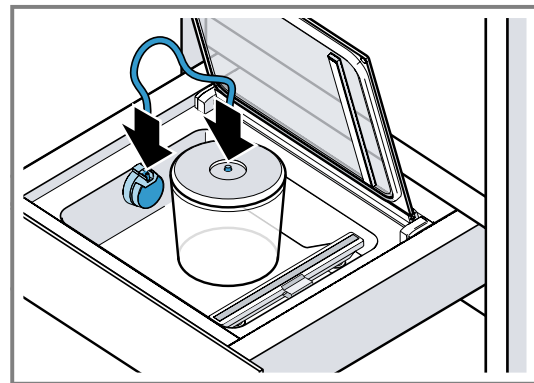
Only use containers that are suitable for vacuum-sealing food.	Commercially available products are different when it comes to the quality of the food and the material.
The vacuum hose attached to this appliance has an internal diameter of 3 mm.	You may need an adapter for your container so that the hose fits. These adapters are often already included with the vacuum-sealing containers.

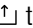

9.2 Vacuum-sealing in the container

Vacuum-seal the food in a suitable vacuum-sealing container in order to preserve the food for longer.

1. Open the glass lid.
2. Plug the vacuum adapter into the air outlet.


3. Secure the hose to the vacuum adapter and the vacuum-sealing container.



4. Press  to select the vacuum-sealing level.
5. Press  to start the vacuum-sealing process.
 - ✓ The vacuum-sealing process starts. The vacuum-sealing level indicators pulsate in orange one after the other until the selected value has been reached.
 - ✓ The vacuum-sealing process can take up to 1 minute.
 - ✓ The vacuum-sealing level that has been reached lights up and an audible signal sounds.
6. Detach the hose from the container and the external vacuum adapter.

Note: If larger bubbles form, cancel the vacuum-sealing process. → Page 8

9.3 Cancelling the vacuum-sealing process in the container

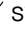
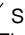
1. To cancel the vacuum-sealing process early, press .
 - ✓ The appliance displays the vacuum-sealing level until it is reached.
2. Detach the hose from the container and the external vacuum adapter.

10 Drying

When vacuum-sealing food, the smallest volume of water gets into the vacuum pump system.

This effect is exacerbated when you are vacuum-sealing liquids or extremely moist food. For this reason, the appliance comes with a drying function, which further removes any liquid that collects in the pump.

After a certain operating time, the appliance prompts you to run a drying cycle.









- If the  symbol lights up white, it is advisable to run a drying cycle. However, at this point, you can continue to use the appliance as normal if you wish.
- If the  symbol lights up red, you must run a drying cycle. The appliance blocks the vacuum-sealing function.

Note: We recommend that you run the drying cycle before the appliance blocks the vacuum-sealing function from working.

10.1 Starting drying

Note: You can close the appliance while drying is in progress.

Requirement:  lights up white or red.

1. Ensure that there are no objects or liquid residues in the vacuum-sealing compartment.
 - ▶ Clean the vacuum-sealing compartment if required.
2. Tightly close the glass lid and hold it there.
3. Press .
 - To interrupt the drying cycle, press .  continues to light up white or red. Restart the drying cycle after switching the appliance back on.
 - ✓ The drying cycle starts and takes up to 20 minutes.
 - ✓ During the procedure,  pulsates in orange.
 - ✓ At the end of the process, the vacuum-sealing compartment is ventilated, and 3 short signal tones sound.
 - ✓ You can now open the glass lid.
 - ✓ If  no longer lights up, the appliance has cooled down and is ready for operation.
 - ✓ If, at the end of the drying cycle, a long signal tone sounds and  and  light up, there is still residual moisture in the pump system. Re-run the drying cycle once the appliance has cooled down.
 - ✓ If  continues to light up white or red, re-run the drying cycle.
4. Before restarting the appliance and after running the drying cycle, allow the appliance to cool down.

11 Cleaning and servicing

11.1 Cleaning products

You can obtain suitable cleaning products from after-sales service or the online shop.

ATTENTION

Unsuitable cleaning products may damage the surfaces of the appliance.

- ▶ Do not use harsh or abrasive detergents.
- ▶ Do not use cleaning products with a high alcohol content.
- ▶ Do not use hard scouring pads or cleaning sponges.
- ▶ Only use glass cleaners, glass scrapers or stainless steel care products if recommended in the cleaning instructions for the relevant part.
- ▶ Wash sponge cloths thoroughly before use.

11.2 Cleaning the appliance

WARNING – Risk of burns!

The heat-sealing bar in the vacuum-sealing compartment becomes extremely hot if the appliance is used frequently and there are long heat-sealing times.

- ▶ Never touch the hot heat-sealing bar.
- ▶ Keep children at a safe distance.

WARNING – Risk of electric shock!

An ingress of moisture can cause an electric shock.

- ▶ Do not use steam- or high-pressure cleaners to clean the appliance.

Requirements

- The appliance is switched off.
- Ensure that the heat-sealing bar in the vacuum-sealing compartment has cooled down.

1. Clean the appliance with a damp cloth and neutral cleaning agents, such as washing-up liquid and water.
 - During cleaning, ensure that no water or other liquid gets into the vacuum-sealing compartment or, in particular, into the vacuum pump's air outlet.
 - Never spray the inside or outside of the appliance with water.
2. Leave the appliance and accessory parts to fully dry after they have been cleaned.

11.3 Cleaning the glass front and glass lid

- ▶ Clean the glass front and the glass lid with glass cleaner and a soft cloth.
 - Do not use any abrasive sponges that may scratch or any glass scrapers.

11.4 Cleaning the stainless steel vacuum-sealing compartment

1. Always remove limescale, grease, starch or albumin stains immediately. Corrosion can form under such stains.
2. Clean with water and some washing-up liquid.
3. Dry with a soft cloth.

11.5 Cleaning the plastic control panel

- ▶ Clean the control panel using a soft cloth.
 - Do not use any abrasive sponges that may scratch or any glass scrapers.

11.6 Cleaning the heat-sealing bar

ATTENTION

Cleaning in the dishwasher leads to damage.

- ▶ Never clean the appliance components in the dishwasher.
1. Remove the remaining film from the heat-sealing bar.
 2. Never use abrasive cleaning agents to clean the heat-sealing bar.
 3. Dry with a soft cloth.

11.7 Cleaning the accessories

ATTENTION

Cleaning in the dishwasher leads to damage.

- ▶ Never clean the appliance components in the dishwasher.
1. Clean using a sponge cloth and hot soapy water in the direction of the finish.
 2. Dry with a soft cloth.

12 Troubleshooting

You can rectify minor faults on your appliance yourself. Read the troubleshooting information before contacting after-sales service. This will avoid unnecessary costs.

⚠ WARNING – Risk of injury!

Improper repairs are dangerous.

- ▶ Repairs to the appliance should only be carried out by trained specialist staff.
- ▶ If the appliance is defective, call Customer Service.
→ "Customer Service", Page 14


⚠ WARNING – Risk of electric shock!

Improper repairs are dangerous.

- ▶ Repairs to the appliance should only be carried out by trained specialist staff.
- ▶ Only use genuine spare parts when repairing the appliance.
- ▶ If the power cord or the appliance power cable of this appliance is damaged, it must be replaced with a special power cord or special appliance power cable, which is available from the manufacturer or its Customer Service.
- ▶ If the power cord of this appliance is damaged, it must be replaced by trained specialist staff.

12.1 Malfunctions

Fault	Cause and troubleshooting
The appliance is not working.	The circuit breaker in the fuse box has tripped. ▶ Check the circuit breaker in the fuse box.
The fuse in the fuse box has blown.	The circuit breaker in the fuse box has tripped. ▶ Call Customer Service → Page 14.
The front panel is not aligned.	The front panel was not aligned during installation. ▶ Adjust the front panel. → Page 18
The vacuum-sealing process will not start. ▶ does not appear even though the lid is closed.	The door switch on the glass lid is missing or is not detected by the appliance. ▶ Call Customer Service → Page 14.
If you try to operate the appliance several times in succession, the vacuum-sealing process seems to run as normal but the bag is not heat-sealed.	The temperature protection switch for the heat-sealing transformer has tripped. 1. Allow the appliance to cool for at least 10 minutes. 2. Allow the appliance to cool for at least 2 minutes between vacuum-sealing processes. 3. Restart the vacuum-sealing process.
The bag is defective, which means that no vacuum remains in the vacuum-sealing bag.	Sharp parts of the food (such as bones) may poke holes in the bag. 1. Check the bag for damage. 2. Use a different bag. 3. Place sharp-edged food that is to be vacuum-sealed in the bag in such a way that you do not damage the wall of the bag.
The heat-sealing seam is defective, which means that no vacuum remains in the vacuum-sealing bag.	The selected heat-sealing time is unsuitable for the film jacket. ▶ Select a different heat-sealing time. There is liquid, grease or crumbs or creases along the heat-sealed seam. 1. Make sure that the bag is dry, that it has no creases, and that it is positioned fully on the heat-sealing bar. 2. Use a different bag. 3. Fold over the edge of the bag by 3 cm before you fill it.

Fault	Cause and troubleshooting
The lid cannot be opened.	<p>A slight vacuum has formed and it is holding the lid closed.</p> <ol style="list-style-type: none"> 1. Never use force to open the lid. 2. Start a new vacuum-sealing process and then cancel it immediately. 3. Unplug the appliance from the mains. 4. Start up the appliance again after 30 seconds. 5. Press and hold  for more than 5 seconds. <p>✓ The appliance is reset.</p>

12.2 Information on display panel

Fault	Cause and troubleshooting
Ⓞ appears after a few seconds.	<p>The glass lid has not been closed properly.</p> <ol style="list-style-type: none"> 1. Open and close the glass lid again. 2. When doing so, lightly press on the glass lid for the first few seconds.
	<p>The seal on the glass lid is not fitted properly or is defective.</p> <p>▶ Check the seal.</p>
	<p>The seal on the glass lid has deformed.</p> <p>▶ Gently press the seal to straighten it out.</p>
	<p>The lid on the external vacuum-sealing container has not been closed properly.</p> <ol style="list-style-type: none"> 1. Check the position of the external vacuum-sealing adaptor. 2. Only use suitable vacuum-sealing containers.
	<p>The external vacuum-sealing adaptor is not positioned correctly on the vacuum-sealing compartment's air outlet.</p> <p>▶ Check the position of the external vacuum-sealing adaptor.</p>
Ⓞ appears after the pump has been running for two minutes.	<p>As the temperature rises, liquids begin to boil, meaning that the vacuum cannot be formed.</p> <ol style="list-style-type: none"> 1. Only vacuum-seal cold liquids. 2. If the vacuum-sealing compartment is wet, wipe it dry. 3. Heat-seal the vacuum-sealing bag early if larger bubbles form. 4. Select a lower vacuum-sealing level.
⚡ and Ⓞ light up after the drying process.	<p>One drying process alone was not sufficient.</p> <ol style="list-style-type: none"> 1. Wait until Ⓞ goes out. 2. Repeat the drying process. <p>→ "Starting drying", Page 9</p>

13 How it works

Here, you can find the ideal settings for various dishes as well as the best accessories and cookware. We have tailored these recommendations to your appliance.

13.1 Vacuum-sealing for sous-vide cooking

You can use your appliance to prepare food for sous-vide cooking. Sous-vide cooking is a method of cooking "under a vacuum" at low temperatures between 50–95 °C and in 100% steam or in a bain marie.

The appliance is used to heat-seal the food in a special air-tight, heat-resistant cooking bag.

WARNING – Risk of harm to health!

Sous-vide cooking is a method of cooking at low temperatures and, if the instructions for use and hygiene instructions are not adhered to, it may result adverse health effects.

- ▶ Only use high-quality, perfectly fresh food.
- ▶ Wash and disinfect your hands.
- ▶ Use disposable gloves, cooking tongs or grill tongs.

- ▶ Take extra care when preparing critical food, such as poultry, eggs and fish.
- ▶ Always thoroughly rinse and peel fruit and vegetables.
- ▶ Always keep work surfaces and chopping boards clean.
- ▶ Use different chopping boards for different types of food.
- ▶ Only interrupt the cold chain briefly to prepare the food.
- ▶ Store vacuum-sealed food in the refrigerator for a maximum of 24 hours before you start the cooking process.
- ▶ Once the food is cooked, consume it immediately. Do not store it after cooking – not even in the refrigerator. It is not suitable for reheating.

Notes

- Use the enclosed vacuum-sealing bags for sous-vide cooking. You can reorder the vacuum-sealing bags.
- Do not cook the food in the bag in which you bought it (e.g. portions of fish). These bags are not suitable for sous-vide cooking.

- Position the items of food in the bag next to each other and not on top of each other.

Vacuum-sealing for sous-vide cooking

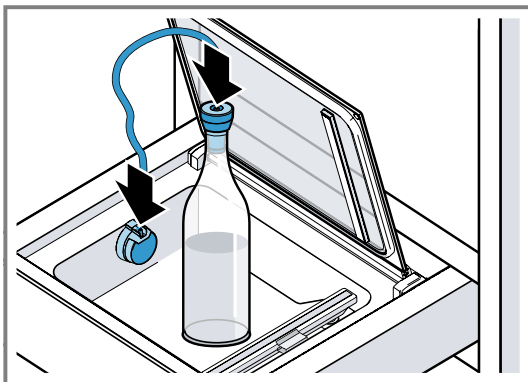
1. In order to achieve an even heat transfer and therefore a perfect cooking result, use the highest vacuum-sealing level to vacuum-seal food.
2. Before cooking the food, check whether the vacuum in the bag is intact. To do this, refer to these points:
 - There is no air in the vacuum-sealing bag.
 - The heat-sealed seam is perfectly sealed.
 - There are no holes in the vacuum-sealing bag. Do not use a core temperature probe.
 - Pieces of meat or fish that have been vacuum-sealed together are not pressed directly against one another.
 - Vegetables and desserts are vacuum-sealed flat.
3. If the vacuum-sealing bag is not filled ideally, place the food into a new bag and vacuum-seal it again.

Note: To prevent gases escaping from the food, e. g. from vegetables, vacuum-seal the food no more than one day before the cooking process. The gases prevent the transfer of heat or cause the texture of the food to change, thus altering how it cooks, as a result of the vacuum pressure.

13.2 Vacuum-sealing glass bottles

You can also use your appliance to vacuum and reseal glass bottles, e.g. bottles of cooking oil.

1. Fit the air outlet on the vacuum adapter in such a way that the outlet for the hose is facing upwards vertically.
2. Secure the bottle plug to the bottle opening.
3. Press the bottle plug adapter onto the bottle plug.
4. Disconnect the hose from the vacuum adapter and secure the bottle plug adapter.



5. Press \uparrow to select the vacuum-sealing level.
 - ▶ Always vacuum-seal bottles at the lowest level.
 - ▶ Do not vacuum-seal any carbonated liquids, such as sparkling wine.
6. Press \blacktriangleright to start the vacuum-sealing process.
 - ✓ The vacuum-sealing process starts. The vacuum-sealing level indicators pulsate in orange one after the other until the selected value has been reached.
 - ✓ The vacuum-sealing level that has been reached lights up and an audible signal sounds.
7. Detach the hose from the bottle plug adapter and the external vacuum adapter.
8. Undo the bottle plug adapter from the bottle plug.

13.3 Fast marinating and flavouring

You can use your appliance to quickly add flavour to or marinate food such as meat, fruit and vegetables. Marinating your food in the traditional way usually takes a long time and is not particularly intensive. When you vacuum-seal in a bag, the food's cell pores open. The marinade that is added can be absorbed quickly. This produces a more intensive taste in a much shorter time.

13.4 Storing and transporting food

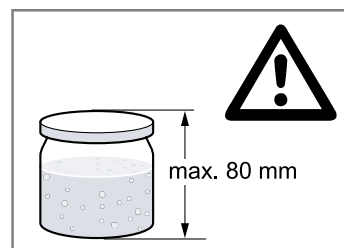
You can use the vacuum-sealing process to store your food for longer and can benefit from additional advantages.

- Due to the low-oxygen environment in the vacuum, freshly vacuum-sealed food remains edible for longer when it is stored correctly.
- The freezer burn is lower when the food has been frozen and vacuum-sealed.
- You can re-seal food, such as jams and sauces, in glass containers.
- The vacuum-sealing significantly increases the storage time.
- Store food such as cheese, fish or garlic without any unpleasant odours. The hermetic sealing that takes place during vacuum-sealing means that no unwanted odours can get out and the flavour cannot be absorbed by the other food.
- Sealed vacuum-sealing bags or vacuum-sealing containers are the ideal means of transport for liquid foods. They are easy to handle, leak-proof and space-saving.

ATTENTION

Glass containers that are too tall may damage the appliance's glass lid.

- ▶ Do not use glass containers that are taller than 80 mm.



Notes

- Only use screw-top jars that are robust and intact.
- Only tighten the container by hand. The container is automatically sealed by the vacuum-sealing process.
- Not all jars or lids are suitable for being re-sealed under a vacuum. After vacuum-sealing, check whether there a vacuum has been formed. A lid that is curving inwards and can only be opened with a lot of force is an indication that the vacuuming process has worked. If the lid makes a clicking sound when it is pushed in and released and if it is easy to open, no vacuum has occurred. Repeat the vacuuming process or use more suitable screw-top jars.

13.5 Recommended settings

This section provides you with recommendations for the vacuum-sealing levels for different foods. Observe the specific information on the recommended vacuum-sealing levels and on preparing the food.

When stored appropriately, vacuum-sealed food remains fresh for significantly longer. Higher vacuum-sealing levels retain the quality, appearance and ingredients of the food.

- Notes**
- Only use fresh food.
 - Check the quality of the food before vacuum-sealing it.
 - Only vacuum-seal cold food – within a temperature range of 1–8 °C is best.
 - Start at the lowest of the recommended vacuum-sealing levels.
 - Check the quality of the food after you remove it from storage. Do not use any food that is of dubious quality.

Food that is stored at room temperature (20 °C to 23 °C)

Food	Vacuum-sealing level	Recommendation
Baked goods	1, 2, 3	
Dried baked items and biscuits	1	
Tea and coffee	1, 2, 3	Store in a dark place
Rice and pasta	2	Vacuum-seal in the container
Flour and semolina	1	
Nuts without shell	3	Store in a dark place
Dried fruits	3	
Crackers and crisps	1, 2	Vacuum-seal in the container

Fresh food that has been frozen (-18 °C to -16 °C) or stored in a refrigerator (3 °C to 7 °C)

Food	Vacuum-sealing level	Recommendation
Fish	3	
Poultry	3	
Meat	3	
Whole sausage	3	
Sliced sausage	3	
Hard cheese	3	
Soft cheese	2	Vacuum-seal in the container
Vegetables	2	Peel and blanch beforehand
Washed green salad	2	Vacuum-seal in the container
Herbs	1, 2	Vacuum-seal in the container
Fruit, hard	3	
Fruit, soft	2	Vacuum-seal in the container Pre-frosting recommended

14 Disposal

14.1 Disposing of old appliance

Valuable raw materials can be reused by recycling.

1. Unplug the appliance from the mains.
2. Cut through the power cord.
3. Dispose of the appliance in an environmentally friendly manner.
Information about current disposal methods are available from your specialist dealer or local authority.



This appliance is labelled in accordance with European Directive 2012/19/EU concerning used electrical and electronic appliances (waste electrical and electronic equipment - WEEE). The guideline determines the framework for the return and recycling of used appliances as applicable throughout the EU.

15 Customer Service

Function-relevant genuine spare parts according to the corresponding Ecodesign Directive can be obtained from Customer Service for a period of at least 10 years from the date on which your appliance was placed on the market within the European Economic Area. Furthermore, our Customer Service will continue to provide you with other function-relevant and storable genuine spare parts for up to 15 years from the date on which your appliance was placed on the market. For more information, please contact our Customer Service team.

Note: Under the terms of the manufacturer's warranty the use of Customer Service is free of charge.

Detailed information about the warranty period and the warranty conditions in your country is available via the QR code on the enclosed document on service contacts and warranty conditions, from our customer service or on our website.

You can find the contact details for our customer service via the QR code on the enclosed document on service contacts and warranty conditions or on our website. You can find the information required as per Regulation (EU) 2023/826 online at www.gaggenau.com on the product and service pages for your appliance, in the area of user manuals and additional documents.

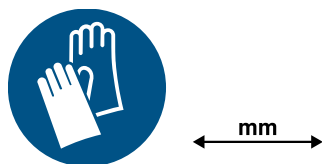
15.1 Product number (E-Nr.) and production number (FD)

If you contact Customer Service, you will require the product number (E-Nr.) and the production number (FD), which you can find on the appliance's rating plate. You can see the rating plate with these numbers when you open the drawer.

Make a note of your appliance's details and the Customer Service telephone number to find them again quickly.

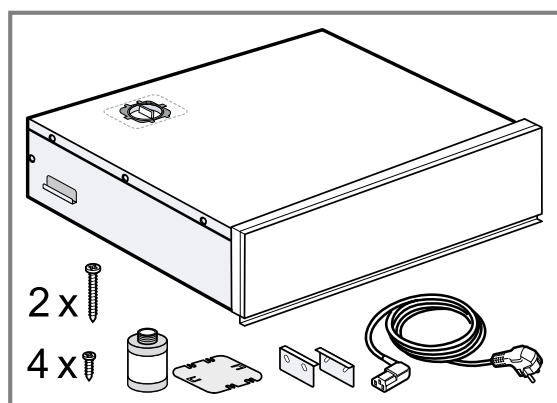
16 Installation instructions

Observe this information when installing the appliance.



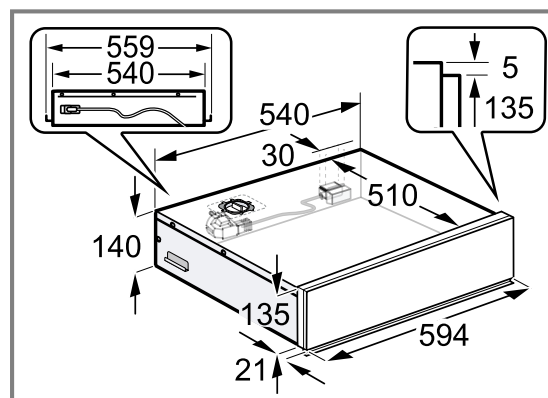
16.1 Scope of delivery

After unpacking all parts, check for any damage in transit and completeness of the delivery.



16.2 Appliance dimensions

You will find the dimensions of the appliance here



16.3 Fitted units

This is where you can find information about safe installation.

ATTENTION

If the appliance is installed behind a decorative panel, this may cause it to overheat.

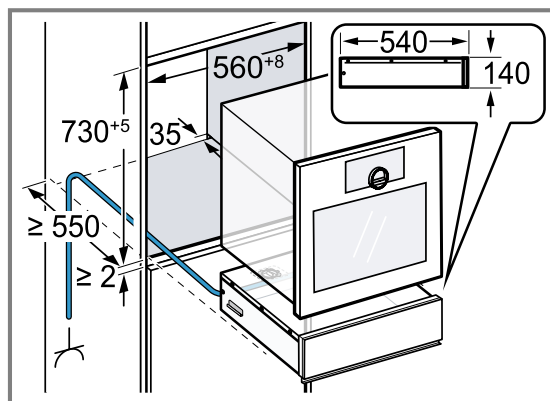
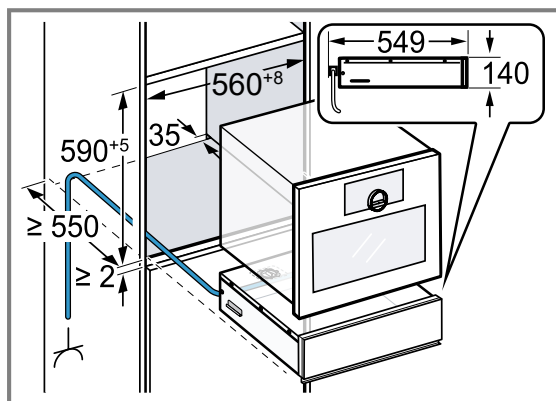
- ▶ Do not install the appliance behind a decorative panel.

When the door is opened, the appliance may tip over.

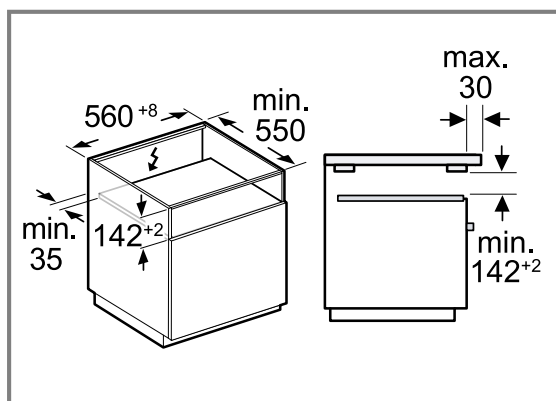
- ▶ Above the appliance, provide a fixed intermediate floor in the fitted unit.
- ▶ When combined with an oven, provide a fixed intermediate floor above the oven.

The built-in unit must not have a rear panel behind the appliance.

Installing in a tall unit

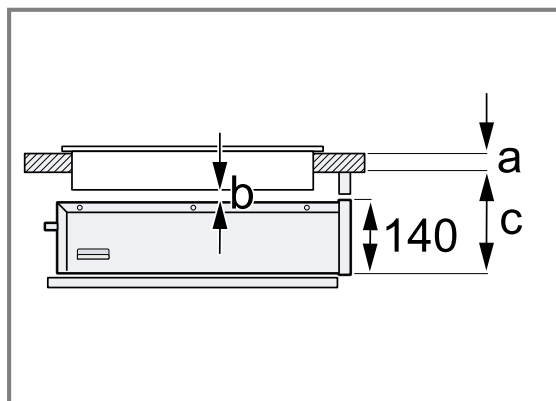


Installing under the worktop



If the worktop overlaps with the unit cavity by too much, this may lead to collisions with the glass cover in the appliance. Note the maximum possible dimension.

If you wish to install the appliance under a worktop or under a hob, you will need to use the following dimensions:



Dimensions in mm	a: Surface-mounted or flush-mounted	b	c: Surface-mounted or flush-mounted
No hob			160
Induction hob	30/30	5	200/201
Full-surface induction cooktop	40/40	5	210/211
Electric hob	20/30	2	190/193
Gas hob	30/30	5	190/197

a: Recommended worktop thickness according to the hob installation instructions.

b: Required distance between the hob and the vacuum-sealing drawer.

c: Required distance between the bottom of the vacuum-sealing drawer and the bottom of the worktop.

Note: Observe the installation instructions for the hob.

16.4 Safe installation

Follow these safety instructions when installing the appliance.

⚠ WARNING – Risk of suffocation!

Children may put packaging material over their heads or wrap themselves up in it and suffocate.

- ▶ Keep packaging material away from children.
- ▶ Do not let children play with packaging material.

ATTENTION

When the door is opened, the appliance may tip over.

- ▶ Above the appliance, provide a fixed intermediate floor in the fitted unit.
- ▶ When combined with an oven, provide a fixed intermediate floor above the oven.

⚠ WARNING – Risk of electric shock!

If the insulation of the power cord is damaged, this is dangerous.

- ▶ Never let the power cord come into contact with heat sources.
- ▶ Never let the power cord come into contact with sharp points or edges.
- ▶ Never kink, crush or modify the power cord. Incorrect installation is dangerous.

- ▶ Connect and operate the appliance only in accordance with the specifications on the rating plate.
- ▶ Connect the appliance to a power supply with alternating current only via a properly installed socket with earthing.
- ▶ The protective conductor system of the domestic electrical installation must be properly installed.
- ▶ Never equip the appliance with an external switching device, e.g. a timer or remote control.
- ▶ When installing the appliance, check that the power cable is not trapped or damaged.

⚠ WARNING – Risk of fire!

It is dangerous to use an extended power cord and non-approved adapters.

- ▶ Do not use extension cables or multiple socket strips.
- ▶ Only use adapters and power cords approved by the manufacturer.
- ▶ If the power cord is too short and a longer one is not available, please contact an electrician to have the domestic installation adapted.

⚠ WARNING – Risk of injury!

Sharp-edged parts may be accessible during installation.

- ▶ Wear protective gloves.

16.5 Instructions for the electrical connection

In order to safely connect the appliance to the electrical system, follow these instructions.

- The appliance must only be connected to a protective contact socket that has been correctly installed. Only a qualified electrician may install a socket or replace the connecting cable, taking the appropriate regulations into account.
- The appliance must only be connected with the power cable provided. Connect the power cable to the back of the appliance.
- Connecting cables with various plug types are available from after-sales service.
- No multi-plugs, multiple connectors or extension leads must be used. Overloading causes a risk of fire.
- If the plug can no longer be reached after the installation, a partition must be provided in the phases in the permanent electrical installation in accordance with the installation regulations.

16.6 Tools

You require the following tools for the installation.

- Measuring tape
- Calliper
- Pencil
- Angle bracket
- Torx 15 and 20 screwdriver
- Large flat-tipped screwdriver
- Medium-sized flat-tipped screwdriver
- Combination pliers
- 5 mm hex key

16.7 Installation

Preparing the appliance

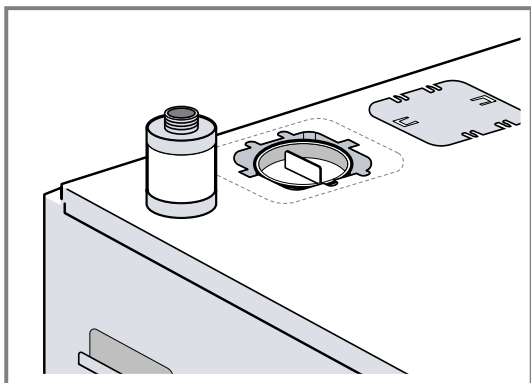
A pump that contains oil is installed in the appliance. If the incline is too great, this oil may flow out of the pump. Do not tip the appliance or upend it.

ATTENTION

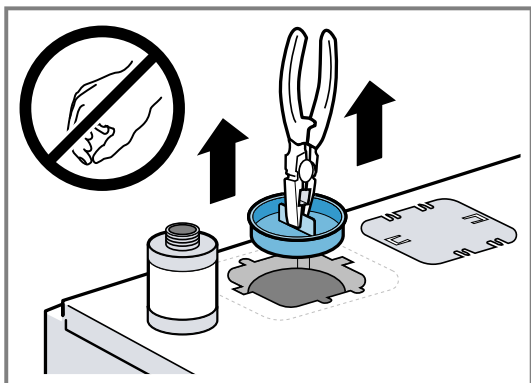
- ▶ The oil from the vacuum pump may leak out when it is tipped or tilted, and may damage the appliance.
- ▶ Do not move the appliance if the transport locks for the pump are not installed.
- ▶ When uninstalling the appliance, secure the transport locks again before moving the appliance.

Requirement: Use a suitable tool to remove the transit bolt and install the oil filter.

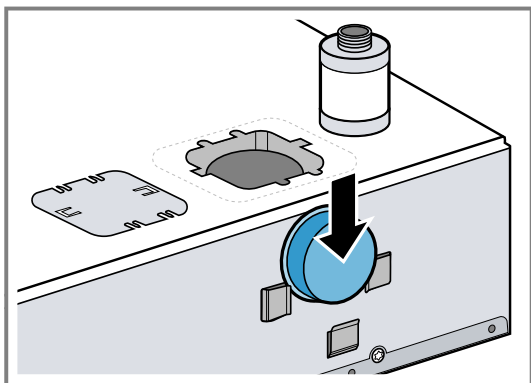
1. Carefully lift the appliance out of the packaging.



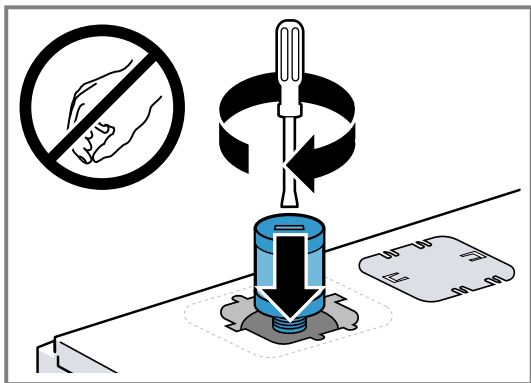
2. Remove the transit bolt for the pump from the top of the appliance.



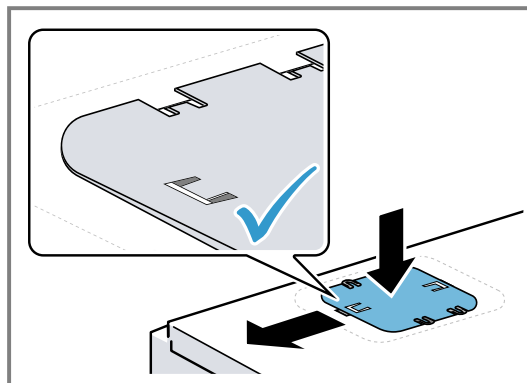
3. Secure the transit bolt to the rear of the appliance for further use.



4. Install the oil filter.



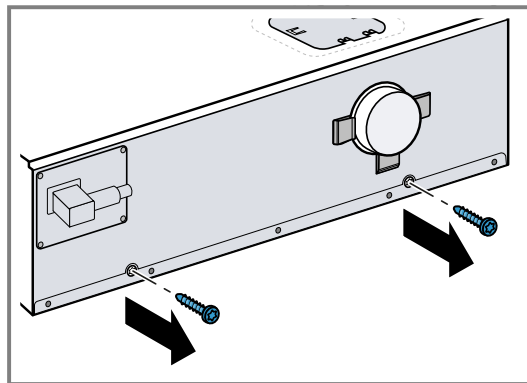
5. Place the lid into the opening and move it to the left.



6. **⚠ WARNING – Risk of tipping!**

- After removing the transportation lock, the drawer may open and the appliance may tip over.
- ▶ Keep the drawer closed.
 - ▶ Weigh down the appliance with a weight.
 - ▶ Only open the drawer if the tilt protection is installed.

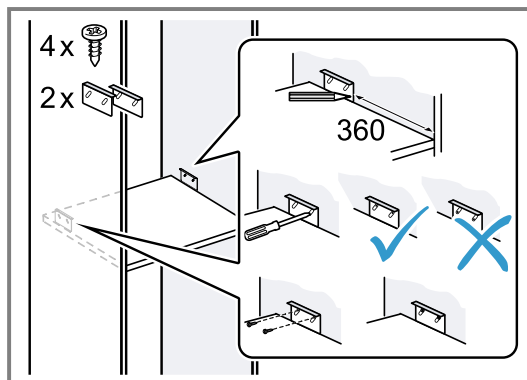
Remove the transit bolt screws.



7. Insert the power cord at the rear of the appliance.

Preparing the unit

- ▶ Install the tilt protection. Fasten the screws in the upper part of the elongated holes.



Tip: The height of the tilt protection can be adjusted to make it easier to slide the appliance into the kitchen unit.

Installing the appliance

⚠ **WARNING – Risk of electric shock!**

If the insulation of the power cord is damaged, this is dangerous.

- ▶ Never let the power cord come into contact with heat sources.
- ▶ Never let the power cord come into contact with sharp points or edges.
- ▶ Never kink, crush or modify the power cord.

⚠ **WARNING – Risk of injury!**

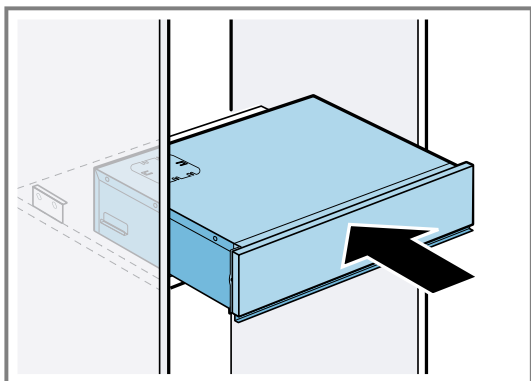
After removing the transport lock, the drawer may open suddenly during transport.

- ▶ Transport the appliance in such a way that the drawer does not accidentally open.

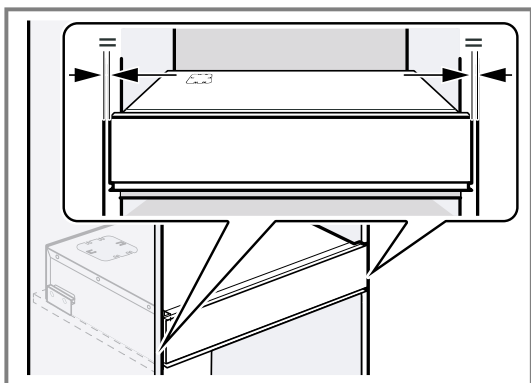
The heavy weight of the appliance may result in injury when lifted.

- ▶ Do not lift the appliance on your own.

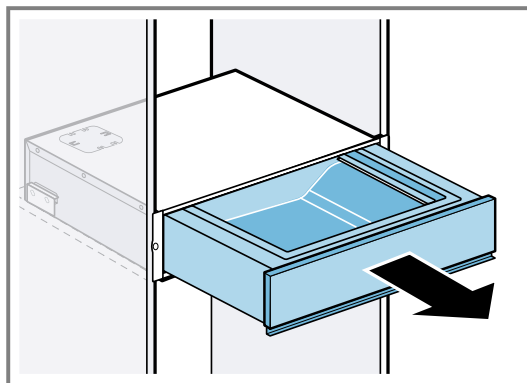
1. Insert the power cord into a protective contact socket.
2. Slide the appliance into the unit.



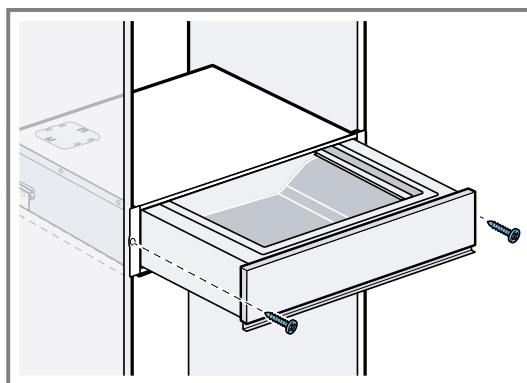
3. If the appliance cannot slide in, adjust the height of the tilt protection brackets. To do this, undo the screws and push the tilt protection brackets upwards.
4. Centre the appliance.



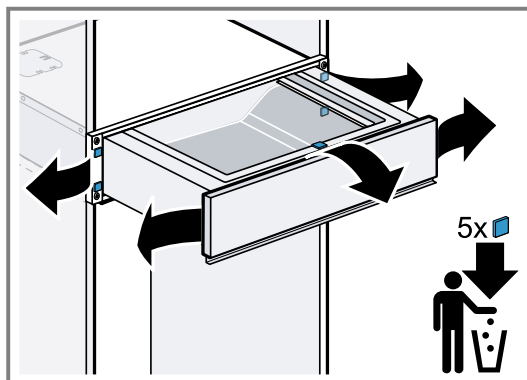
5. To check the tilt protection, open the drawer carefully.



6. Screw the appliance into place.



7. Remove and dispose of the transit bolt.



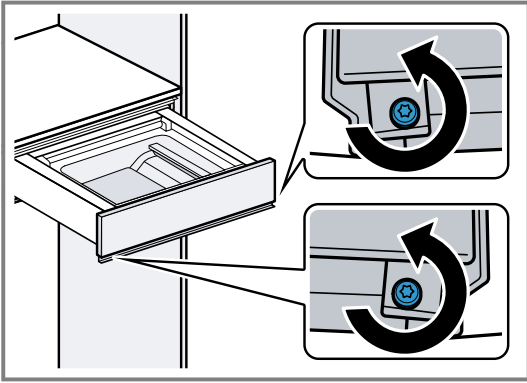
8. Close the appliance.
9. Check the depth of the front panel including the front frame.
 - ▶ Make sure that the depth of the front panel, including the front frame, is 21 mm.
 - ▶ If the depth is greater or smaller than 21 mm, adjust the front panel in a horizontal direction → Page 19.

Adjusting the front panel in a vertical direction

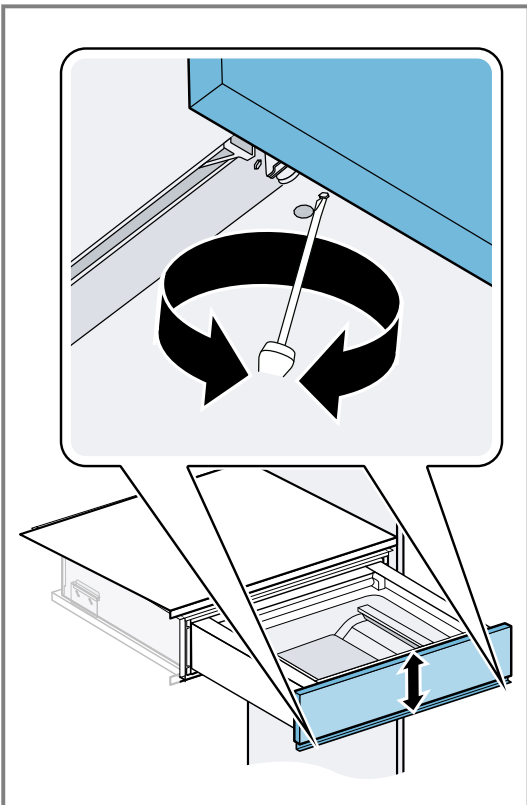
Adjust the front panel upwards or downwards as necessary.

1. Open the appliance.

2. Only loosen the screws on the side of the front panel – do not unscrew them completely.

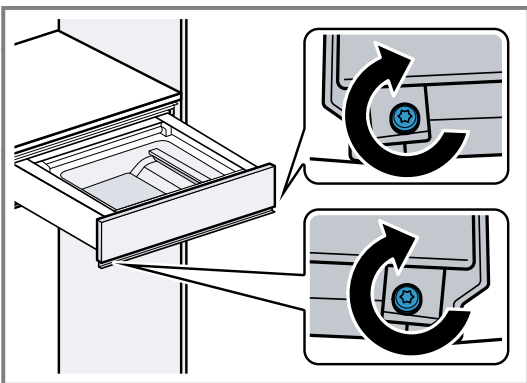


3. Move the front panel upwards or downwards.



A maximum alignment of -1.5 to +1.5 mm is possible.

4. Tighten the side screws again.



Adjusting the front panel in a horizontal direction

If the depth of the front panels of the neighbouring appliances varies from the depth of the front panel of the va-

cuuming drawer, adjust the front panel of the vacuuming drawer.

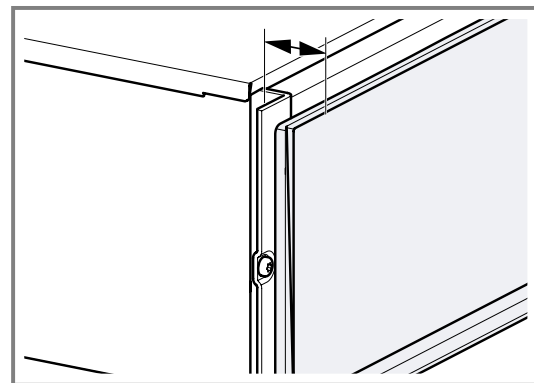
⚠ WARNING – Risk of tipping!

If you pull the appliance out of the kitchen unit, the appliance may open and tip forwards.

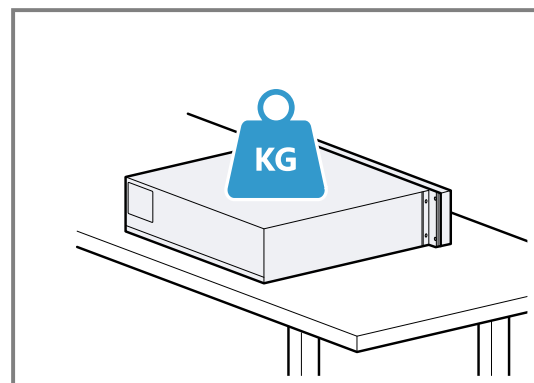
- ▶ When removing the appliance from the kitchen unit, ensure that the appliance does not open in the process.

If the appliance is pushed over the edge of the table, the appliance may tip over.

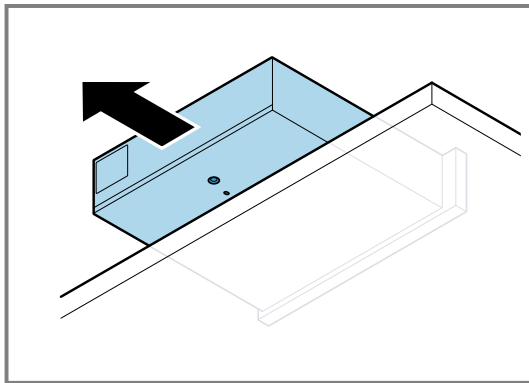
- ▶ Weigh down the appliance with a heavy object.
1. Measure the deviation between the front panel of the vacuuming drawer and the front panels of other appliances.
 2. Remove the vacuuming drawer.
 - ▶ Open the appliance.
 - ▶ Undo the screws.
 - ▶ Close the appliance.
 3. Carefully remove the appliance from the kitchen unit towards the front and place it on a level surface.
 - ▶ Make sure that the appliance does not open in the process.
 4. Measure the depth of the front panel including the front frame.



5. To reduce the risk of tipping, weigh down the appliance with a heavy object.

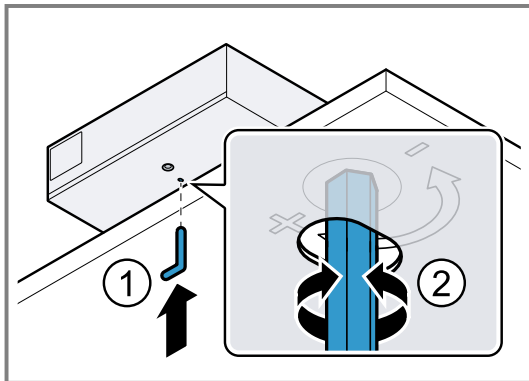


6. To reach the adjustment option underneath the appliance, push the appliance approx. 18 cm over the edge of the table.



The adjustment option is located at the rear of the appliance.

7. Using a 5 mm hex key, adjust the front panel in a horizontal direction.



8. Push the appliance into the kitchen unit, centre it and screw it tight.

Combining the vacuum-sealing drawer with another appliance

You can combine the vacuuming drawer with a maximum of one other appliance from the same appliance series.

ATTENTION

The front panel of the vacuuming drawer may be damaged if an appliance is pushed onto the vacuuming drawer.

- ▶ Do not damage the front panel of the vacuuming drawer when sliding the appliance in.
- ▶ Before installing another appliance, open the vacuuming drawer, place a cloth over the front panel and close the vacuuming drawer to protect the front panel of the vacuuming drawer from damage.

1. Only combine suitable appliances of the same brand and series.
2. Always install the vacuuming drawer below the other appliances.
3. Do not install the vacuuming drawer above an appliance that generates steam, e.g. above a dishwasher, a combi-steam oven or a steam oven.
4. Do not install the vacuuming drawer above an oven.
5. Always install tilt protection → *Page 17*.
6. Install the vacuum-sealing drawer first.

7. Slide the appliance onto the vacuum-sealing drawer in the built-in cut-out.
8. Observe the installation instructions for the appliance.

The difference is Gaggenau

gaggenau.com

BSH Hausgeräte GmbH
Carl-Wery-Straße 34
81739 München, GERMANY
www.gaggenau.com

Valid within Great Britain:
Imported to Great Britain by
BSH Home Appliances Ltd.
Grand Union House
Old Wolverton Road
Wolverton, Milton Keynes
MK12 5PT
United Kingdom



9001959561 (060302) REG25
en