

**Series 6, Heat pump tumble dryer, 9 kg  
WQG24570SG**



**Energy Efficient, perfect drying results  
everytime**

- **SensitiveDrying System:** gentledrying without wrinkling thanks its unique drum design and movements.
- **Anti-crease:** laundry is automatically loosened once program finished and does not crease.
- **Fast drying within 40 minutes, suitable for a small amount of synthetic fibers and thin fabrics.**
- **Self Cleaning Condenser:** keeps the condenser free of fluff to maintain optimal energy efficiency.

Built-in / Free-standing: ..... Free-standing  
 Removable top: ..... No  
 Door hinge: ..... Right  
 Color / Material body: ..... White  
 Length electrical supply cord: ..... 145.0 cm  
 Height of removable worktop: ..... 0 mm  
 Dimensions: ..... 842 x 598 x 613 mm  
 Net weight: ..... 56.4 kg  
 Drum volume: ..... 112 l  
 Fluorinated greenhouse gases: ..... No  
 Type of refrigerant: ..... R290  
 Hermetically sealed equipment: ..... Yes  
 The quantity expressed in CO2 equivalent: ..... 0.000 t  
 Connection rating: ..... 800 W  
 Fuse protection: ..... 10 A  
 Voltage: ..... 220-240 V  
 Frequency: ..... 50 Hz  
 Drying process: ..... automatic  
 Loading capacity: ..... 9.0 kg  
 Energy efficiency rating: ..... A++  
 Power consumption in off-mode - NEW (2010/30/EC): ..... 0.10 W  
 Power consumption in left-on mode - NEW (2010/30/EC): ..... 0.75 W  
 Condensation efficiency class - NEW (2010/30/EC): ..... B

- WMZ20600 Wool in basket - accessory  
 WTZ27400 Stacking kit with pull-out shelf  
 WTZ27410 Stacking kit  
 WTZPW20D Platform with pull-out, dryer, cubic



## Series 6, Heat pump tumble dryer, 9 kg WQG24570SG

### Energy Efficient, perfect drying results everytime

---

#### Technical Information

- Capacity: 9 kg, Heat-Pump
- Dimensions (H x W x D): 84.2 cm x 59.8 cm x 61.3 cm

#### Programmes

- Cottons, Cottons Eco, Synthetics, Mix, Delicates, Wool Finish, Timed Prog. Warm, Hygiene Plus, SuperQuick 40', Towels, Sportswear, Down Wear, Duvet, Shirts/Blouses

#### Features

- SelfCleaning condenser
- Anti crease cycle 120 min at the end of the programme
- Hygiene Plus programme - suitable for allergy sufferers
- LED drum light
- Antivibration design: stability and quietness
- Sportswear programme
- Wool Finish for woollen clothes and towels
- Down Wear programme for fabrics, pillows, bedspreads or eiderdowns filled with down.
- Maximum delay start: 24hrs
- Fluff Indicator

#### Safety

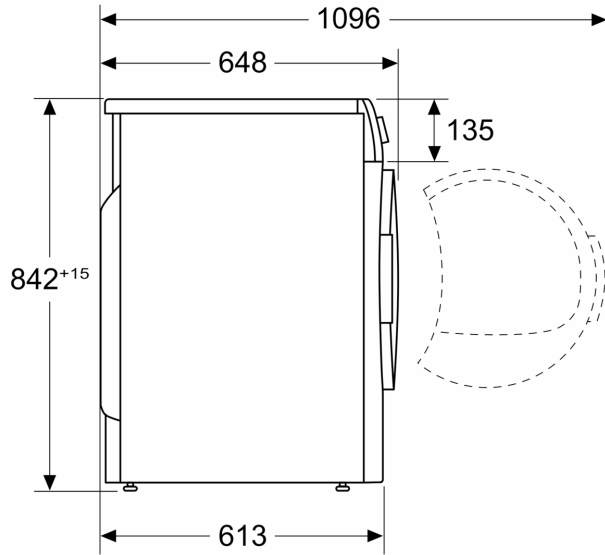
- Child Proof Lock
- Buzzer at end programme

#### Display Screen & Alerts

- LED display with touch buttons: Iron Dry, Cupboard Dry, Cupboard Dry Plus, Low Heat, Half Load, Easy Iron. Finished In., Mute, Start/Reload

**Series 6, Heat pump tumble dryer, 9  
kg  
WQG24570SG**

Measurements in mm



Measurements in mm

