

MANUALE D'USO

MACCHINA DA CAFFÈ

IT

USER MANUAL

COFFEE MACHINE

EN

MANUEL DE L'UTILISATEUR

MACHINE À CAFÉ

FR

GEBRAUCHSANLEITUNG

KAFFEEMASCHINE

DE

GEBRUIKSAANWIJZING

KOFFIEMACHINE

NL

MANUAL DE USO

CAFETERA

ES

MANUAL DE USO

MÁQUINA DE CAFÉ

PT

BRUKSANVISNING

KAFFEMASKIN

SV

РУКОВОДСТВО ПО ЭКСПЛУАТАЦИИ

КОФЕВАРОЧНАЯ МАШИНА

RU

BRUGSANVISNING

KAFFEMASKINE

DA

INSTRUKCJA OBSŁUGI

EKSPRES DO KAWY

PL

KÄYTTÖOHJE

KAHVINKEITIN

FI

BRUKSANVISNING

KAFFEMASKIN

NO

كتيب الاستخدام

آلة صنع القهوة

AR

The Smeg logo consists of a stylized cluster of four dots of varying sizes to the left of the lowercase word "smeg" in a bold, sans-serif font.

Consigliamo di leggere attentamente questo manuale, che riporta tutte le indicazioni per mantenere inalterate le qualità estetiche e funzionali dell'apparecchio acquistato.

Per ulteriori informazioni sul prodotto: [www.smeg.com](http://www.smeg.com)

We advise you to read this manual carefully, as it contains all the instructions for managing the appliance's aesthetic and functional qualities.

For further information on the product: [www.smeg.com](http://www.smeg.com)

Nous conseillons de lire attentivement ce manuel, qui comprend toutes les indications pour maintenir inaltérées les qualités esthétiques et fonctionnelles de l'appareil acheté.

Pour obtenir des informations supplémentaires sur le produit : [www.smeg.com](http://www.smeg.com)

Wir empfehlen, diese Bedienungsanleitung, die sämtliche Anweisungen enthält, um das Aussehen und die Funktionsfähigkeit des Geräts zu erhalten, sorgfältig zu lesen.

Für weitere Informationen über das Produkt wird auf [www.smeg.com](http://www.smeg.com) verwiesen

We adviseren om deze handleiding aandachtig door te lezen. Ze bevat aanwijzingen die nodig zijn om de esthetische en functionele eigenschappen van het gekochte apparaat intact te houden.

Bezoek voor meer informatie over het product: [www.smeg.com](http://www.smeg.com)

Aconsejamos leer atentamente este manual que contiene todas las indicaciones para mantener inalterada la calidad estética y funcional del aparato adquirido.

Más información sobre el producto en: [www.smeg.com](http://www.smeg.com)

Aconselhamos que leia atentamente este manual, que refere todas as indicações para manter inalteradas as qualidades estéticas e funcionais do aparelho comprado.

Para mais informações sobre o produto: [www.smeg.com](http://www.smeg.com)

Vi rekommenderar att ni nogga läser denna handbok som anger alla de nödvändiga anvisningarna för att bibehålla den inköpta apparatens utseende och funktioner.

För mer information om produkten: [www.smeg.com](http://www.smeg.com)

Мы рекомендуем вам внимательно прочитать данное руководство, в котором приводятся все указания, необходимые для поддержания неизменными эстетических и функциональных свойств приобретенного прибора.

Дополнительную информацию об изделии можно получить на сайте: [www.smeg.com](http://www.smeg.com)

Vi anbefaler, at du nøje læser denne vejledning, som indeholder alle anvisninger til at holde det købte apparat i perfekt funktionsmæssig og æstetisk stand.

For yderligere informationer om produktet: [www.smeg.com](http://www.smeg.com)

Zalecamy uważne przeczytanie niniejszej instrukcji, która zawiera wszystkie wskazania dla utrzymania jakości estetyki i funkcjonalności zakupionego urządzenia.

Dalsze informacje dotyczące produktu znajdują się na stronie: [www.smeg.com](http://www.smeg.com)

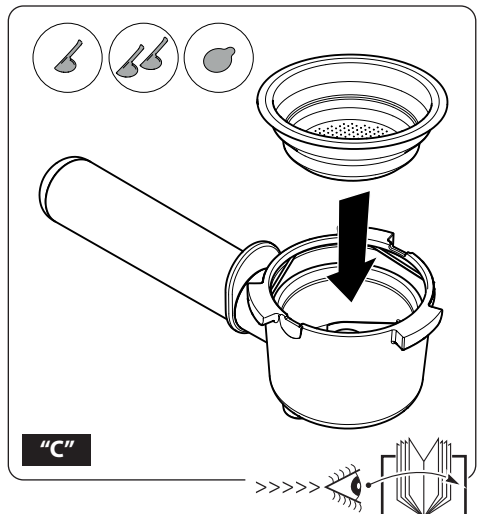
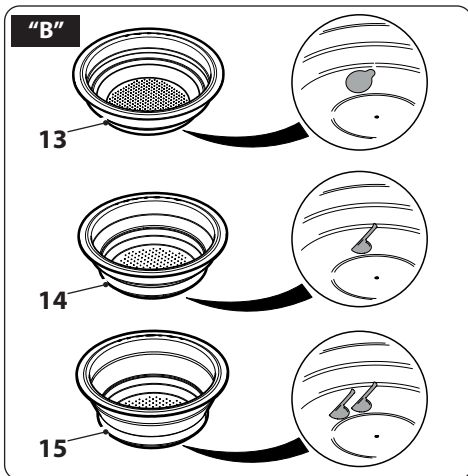
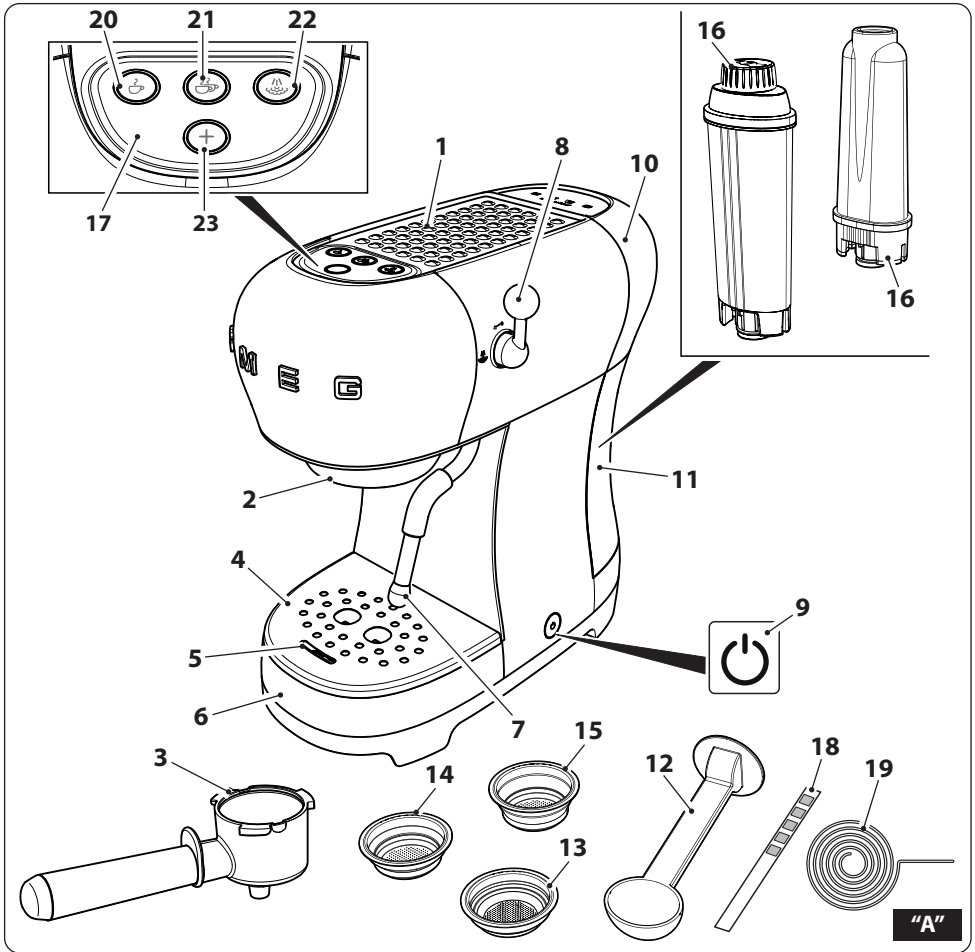
Lue tämä käyttöopas huolellisesti. Ohjeita noudattamalla taataan laitteen oikeaoppinen ylläpito ja sen ominaisuuksien säilyvyys.

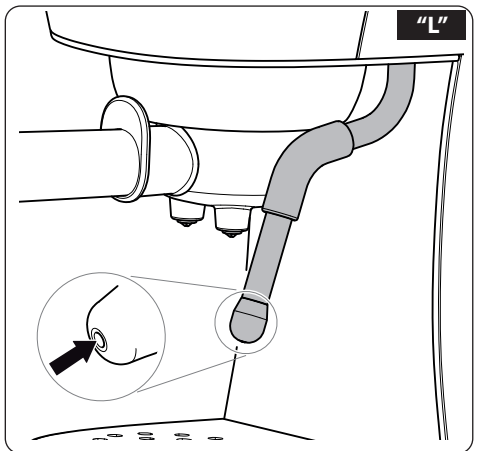
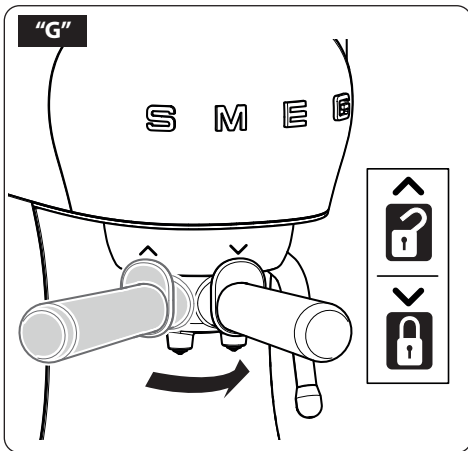
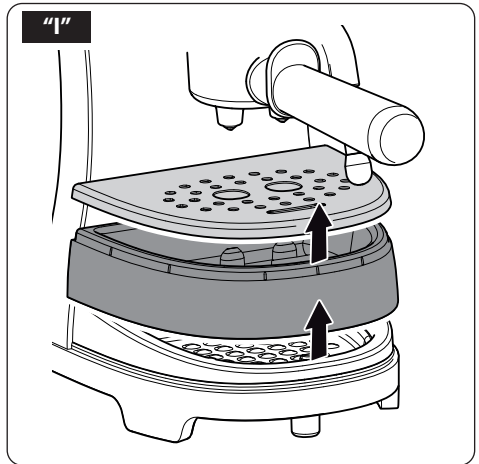
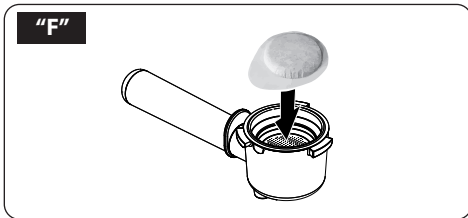
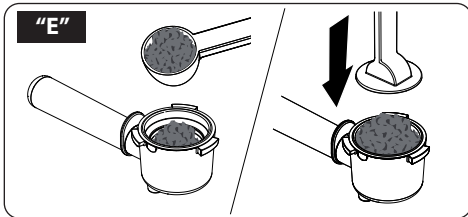
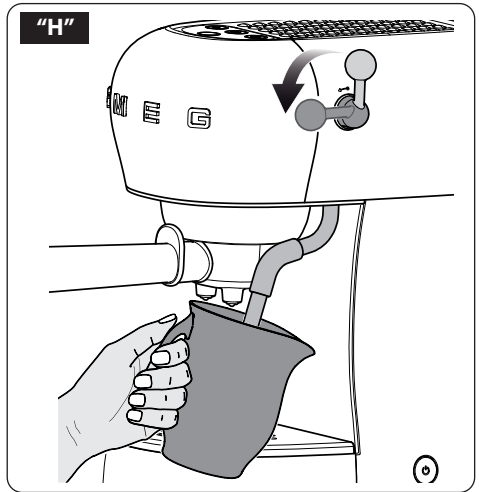
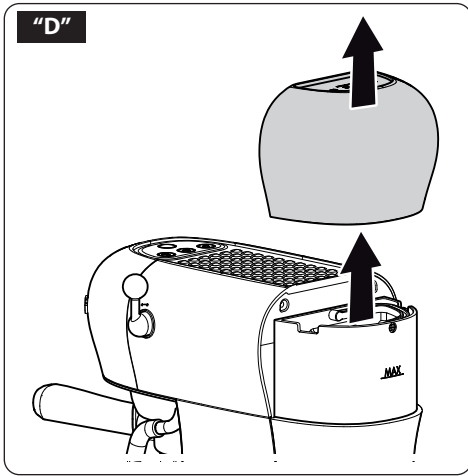
Tuotteeseen liittyvät lisätiedot löytyvät osoitteesta [www.smeg.com](http://www.smeg.com)

Vi anbefaler at du leser denne brukerveiledningen grundig, da den inneholder alle indikasjonjer for å bevare de estetiske og funksjonelle kvalitetene til produktet du har kjønt.

For ytterligere informasjon om produktet: [www.smeg.com](http://www.smeg.com)

نصح بقراءة هذا الكتيب بعناية حيث يضم جميع التعليمات التي تضمن الحفاظ على الخصائص الجمالية والوظيفية للمنتج الذي قمت بشرائه.  
للمزيد من المعلومات عن المُنتج بوجاء زيارة [www.smeg.com](http://www.smeg.com)





**Informazioni importanti per l'utente / Important information for the user**  
**Informations importantes pour l'utilisateur / Wichtige Informationen für den Benutzer**  
**Belangrijke informatie voor de gebruiker / Información importante para el usuario**  
**Informações importantes para o utilizador / Viktig informasjon for brukere**  
**Важная информация для пользователя / Vigtig informasjon til brugeren**  
**Ważne informacje dla użytkownika / Tärkeitä tietoja käyttäjälle**  
**Viktig informasjon for brukere / معلومات هامة للمستخدم**

**⚠ Avvertenze / Instructions / Avertissements / Hinweise / Waarschuwingen / Advertencias / Advertências / Varningar / Меры предосторожности / Advarsler / Ostrzeżenia / Varoitus / Advarsler / تحذيرات**

Informazioni generali su questo manuale d'uso, di sicurezza e per lo smaltimento finale / General information on this user manual, on safety and final disposal / Informations générales sur ce manuel d'utilisation, sur la sécurité et sur l'élimination définitive de l'appareil / Allgemeine Informationen zu dieser Gebrauchsanleitung, zur Sicherheit und die endgültige Entsorgung / Algemene informatie over deze handleiding, veiligheidsinstructies en uiteindelijke verwerking / Información general del manual relativa al uso, la seguridad y la eliminación final / Informações gerais sobre este manual do utilizador, segurança e para a eliminação final / Allmän information om denna bruksanvisning, om säkerhet och för slutligt bortscaffande / Общая информация о данном руководстве по эксплуатации, безопасности и окончательной утилизации / Generelle oplysninger om denne betjenings- og sikkerhedsvejledning samt endelig bortscaffelse / Ogólne informacje dotyczące użytkowania, bezpieczeństwa i uтилизации / Käyttöohjeita, turvallisuutta ja käytöstä poistoa koskevat yleisetiedot / Generell informasjon om denne brukerveiledningen, sikkerhet og endelig kassering av produktet / معلومات عامة عن دليل استخدام هذا الجهاز وسلامة استخدامه وكيفية التخلص عن الجهاز بشكل نهائي

**📖 Descrizione / Description / Description / Beschreibung / Beschrijving / Descripción / Descrição / Beskrivning / Описание / Beskrivelse / Opis / Kuvaus / Beskrivelse / الوصف**

Descrizione dell'apparecchio / Appliance description / Description de l'appareil / Beschreibung des Geräts / Omschrijving van het apparaat / Descripción del aparato / Descrição do aparelho / Beskrivning av apparaten / Описание прибора / Beskrivelse af apparatet / Opis urządzenia / Laitteen kuvaus / Beskrivelse av apparatet / وصف الجهاز

**👉 Uso / Use / Utilisation / Gebrauch / Gebruik / Uso / Utilização / Användning / Использование / Anvendelse / Użytkowanie / Käyttö / Bruk / الاستخدام**

Informazioni sull'uso dell'apparecchio / Information on using your appliance / Informations sur l'utilisation de l'appareil / Informationen zum Gebrauch des Geräts / Informatie over het gebruik van het apparaat / Información sobre el uso del aparato / Informações sobre a utilização do aparelho / Information om användning av apparaten / Информация об использовании прибора / Oplysninger om brug af apparatet / Informacje dotyczące użytkowania urządzenia / Laitteistoa koskevat käyttöohjeet / Informasjon om bruken av apparatet / معلومات عن استخدام الجهاز

**🧼 Pulizia e manutenzione / Cleaning and care / Nettoyage et entretien / Reinigung und Wartung / Reiniging en onderhoud / Limpieza y mantenimiento / Limpeza e manutenção / Rengöring och underhåll / Чистка и техническое обслуживание / Rengøring og vedlikeholdelse / Czyszczenie i konserwacja / Puhdistus ja hoito / Rengjøring og vedlikehold / التنظيف والصيانة**

Informazioni per la corretta pulizia e manutenzione dell'apparecchio / Information for proper cleaning and maintenance of the appliance / Informations pour un nettoyage et un entretien corrects de l'appareil / Informationen zur ordnungsgemäßen Reinigung und Wartung des Geräts / Informatie voor de juiste wijze van reiniging en onderhoud van het apparaat / Información sobre la limpieza y el mantenimiento correctos del aparato / Informações para a limpeza e manutenção corretas do aparelho / Information för korrekt rengöring och underhåll av apparaten / Информация по корректной очистке и техобслуживанию прибора / Oplysninger om korrekt rengøring og vedlikeholdelse af apparatet / Informacje dotyczące prawidłowego czyszczenia i konserwacji urządzenia / Laitteiston oikeaa puhdistusta ja huoltoa koskevat tiedot / Informasjon for korrekt rengjøring og vedlikehold av apparatet / معلومات لتنظيف وصيانة الجهاز بشكل صحيح

**⚠ Avvertenza di sicurezza / Safety instructions / Consignes de sécurité / Sicherheitshinweise / Veiligheidsaanschuwingen / Advertencia de seguridad / Advertências de segurança / Säkerhetsvarning / Предупреждение о безопасности / Sikkerhedsanvisninger / Ostrzeżenie dotyczące bezpieczeństwa / Turvallisuuteen liittyvät varoitukset / Sikkerhetsadvarsler / تحذير للسلامة**

**i Informazione / Information / Information / Information / Informatie / Información / Informação / Information / Информация / Information / Informacja / Tietoa / Informasjon / معلومات**

**📝 Suggerimento / Advice / Conseil / Empfehlungen / Aanbeveling / Sugerencia / Sugestões / Råd / Рекомендация / Forslag / Porada / Neuvo / Forslag / اقتراحات**

Il costruttore si riserva di apportare senza preavviso tutte le modifiche che riterrà utili al miglioramento dei propri prodotti. Le illustrazioni e le descrizioni contenute in questo manuale non sono quindi impegnative ed hanno solo valore indicativo.

The manufacturer reserves the right to make any changes deemed useful for the improvement of its products without prior notice. The illustrations and descriptions contained in this manual are therefore not binding and are merely indicative.

Le fabricant se réserve la faculté d'apporter, sans préavis, toutes les modifications qu'il jugera utiles pour l'amélioration de ses produits. Les illustrations et les descriptions figurant dans ce manuel ne sont pas contraignantes et n'ont qu'une valeur indicative.

Der Hersteller behält sich vor, ohne vorherige Benachrichtigung alle Änderungen vorzunehmen, die er zur Verbesserung seiner Produkte für nützlich erachtet. Die in diesem Handbuch enthaltenen Illustrationen und Beschreibungen sind daher unverbindlich und dienen nur zur Veranschaulichung.

De fabrikant behoudt zich het recht voor zonder waarschuwing alle wijzigingen aan te brengen die hij nodig acht om zijn producten te verbeteren. De afbeeldingen en de beschrijvingen die aanwezig zijn in deze handleiding zijn niet bindend, en hebben enkel een aanduidende waarde.

El fabricante se reserva el derecho a aportar sin aviso previo todas las modificaciones que considere útiles para la mejora de sus propios productos. Las ilustraciones y las descripciones contenidas en este manual no comprometen, por tanto, al fabricante y tienen un valor meramente indicativo.

O fabricante reserva-se o direito de efetuar, sem aviso prévio, qualquer modificação que vise o melhoramento dos respetivos produtos. As ilustrações e descrições contidas neste manual, não são, por isso, vinculativas e possuem apenas valor indicativo.

Tillverkaren förbehåller sig rätten att genomföra alla de ändringar som anses nödvändiga för att förbättra de egna produkterna utan att meddela detta i förväg. De illustrationer och beskrivningar som finns i denna bruksanvisning är vägledande och därmed inte bindande.

Производитель оставляет за собой право вносить без предупреждения все изменения, которые посчитает полезными для улучшения собственной продукции. Рисунки и описания, содержащиеся в данном Руководстве по эксплуатации, не имеют обязательств и имеют ознакомительный характер.

Producenten forbeholder sig retten til at foretage eventuelle ændringer, der anses for at være en forbedring af det oprindelige produkt, uden forudgående varsel. Illustrationer og beskrivelser i denne betjeningsvejledning er derfor ikke bindende og kun vejledende.

Producent zastrzega sobie prawo do nanoszenia, bez uprzedniego powiadomienia, wszelkich zmian, które uzna za przydatne w celu ulepszenia swoich produktów. Rysunki i opisy zawarte w niniejszej instrukcji nie są zobowiązujące i mają charakter poglądowy.

Valmistaja pidättää itsellään oikeuden tehdä ohjeisiin mielestään tarpeellisia muutoksia ilman ennakoilmoitusta. Tässä oppaassa olevat kuvat ja piirrookset eivät näin ollen ole sitovia, vaan ne annetaan vain viitteellisessä mielessä.

Produsenten forbeholder seg rett til endringer på sine produkter grunnet tekniske fremskritt, uten forutgående varsel. Illustrasjonene og beskrivelsene i denne bruksanvisningen er derfor ikke bindende og skal kun betraktes som retningsgivende.

”تحفظ جهة التصنيع لنفسها بالحق في القيام بجميع التعديلات التي تراها مناسبة لتحسين منتجاتها دون إنذار مسبق. ولذلك، لا تعتبر الرسوم التوضيحية والأوصاف الواردة في هذا الدليل ملزمة وإنما ذات قيمة إرشادية فقط“



## Important safety information

### 1 Warnings

This user manual is an integral part of the appliance and must therefore be kept in its entirety and on-hand for the whole working life of the appliance.

#### 1.1 Description for use

- The appliance can be used to prepare espresso and cappuccino coffee using ground coffee or coffee pods. All other use is considered improper. Do not use the appliance for purposes different to those for which it is intended.
- This appliance is for household use only. Furthermore, it cannot be used:
  - in kitchen areas provided for employees of shops, offices and other work environments;
  - in farms/farm holiday facilities;
  - by guests at hotels and motels, and in residential environments;
  - in bed and breakfasts.
- This appliance may be used by persons with reduced physical, sensory or mental capabilities (including children from the age of 8) provided they are supervised or instructed on the safe use of the appliance and they understand the associated risks.
- Children must not be allowed to play with the machine.
- Keep the appliance and its cable out of the reach of children under 8 years of age.

- Cleaning and maintenance can be performed by children from the age of 8, only if they are closely supervised by an adult.

#### 1.2 General safety warnings

- Never immerse the appliance in water.
- Avoid getting the coffee machine wet and do not spray liquids onto it. In the event of contact with liquids, immediately disconnect the cable from the power outlet and dry thoroughly: Electric shock hazard!
- Do not position the appliance or cable above or near gas or electric hob burners when they are in use, inside an oven or near other heat sources.
- In the event of a fault, or if the power supply cable is damaged, have the appliance repaired only by a qualified technician or by an authorised after-sales service in order to prevent any hazards.
- Do not make any modifications to the appliance so as not to make the warranty void.
- Do not pull the cable to remove the plug from the outlet.



## Important safety information

### 1.3 Safety recommendations for this appliance

- Follow all safety recommendations for safe use of the appliance.
  - Read this user manual carefully before using the appliance.
  - Do not leave the coffee machine unattended during use.
  - Always disconnect the coffee machine from the power outlet before assembly/disassembly of components and before cleaning operations.
  - Allow the coffee machine to cool down before cleaning.
  - Do not use the coffee machine without the tank fitted or without water in the tank.
  - Leave a space of at least 3 cm between the coffee machine and any walls to the rear or side, and a space of 15 cm above the coffee machine.
  - Burns hazard! The coffee machine generates heat and produces hot water when running.
  - Burns hazard! Do not touch the cup warmer shelf while the appliance is operating.
  - Do not use the coffee machine with parts or accessories produced by other manufacturers.
  - Only use the manufacturer's original spare parts. The use of spare parts not recommended by the manufacturer could lead to fires, electric shocks or personal injury.
  - Only place the coffee machine on level and dry surfaces.
- Do not use aggressive detergents or sharp objects to clean the coffee machine.
  - Never try to put out a fire/flames using water: turn off the appliance, remove the plug from the outlet and smother the flame with a lid or fire blanket.
  - Do not let the electrical power cord come into contact with sharp edges.
  - Do not position the appliance near to taps or sinks.
  - If an extension cable is used, the nominal value indicated must be at least equivalent to the nominal value of the appliance. If the appliance has a 3-wire electric cable with earth, the extension must be a type with 3 wires and earth. The longest cable must be positioned in a way not to rest on the surface or table where it may be pulled by children or cause falls due to tripping.
  - It is recommended to delicately dry the machine before use, since there may be slight traces of residual moisture originating from quality controls.





## 1.4 Manufacturer's liability

The manufacturer declines all liability for injury/damage to persons and objects due to:

- use of the appliance different from that envisioned;
- user manual has not been read;
- tampering with individual parts of the appliance;
- use of non-original spare parts;
- failure to comply with safety warnings.



Keep these instructions carefully. Whenever the appliance is transferred to other persons, it must be accompanied by these user instructions.

These instructions can be downloaded from the Web Smeg site "www.smeg.com".

## 1.5 Disposal



Devices bearing this symbol are subject to European Directive 2012/19/EU.

- All electric and electronic appliances must be disposed of separately from household waste, taking them to the relevant centres envisioned by the State. By disposing of the discarded device correctly, damage to the environment and risks to human health will be avoided. For further information regarding the disposal of the discarded device, contact the Municipal Administration, the Disposal dept., or the shop where the device was purchased.

## 2 Description of the appliance (Fig. A)

- 1 Cup-warmer shelf.
- 2 Dispensing unit.
- 3 Filter-holder.
- 4 Cup tray.
- 5 Level indicator.
- 6 Drip tray.
- 7 Steam wand.
- 8 Steam knob.
- 9 ON/OFF switch.
- 10 Water tank lid.
- 11 Water tank (1 litre).
- 12 Measuring/tamping scoop.
- 13 Coffee pod filter.
- 14 Single filter.
- 15 Double filter.
- 16 Water softener filter (optional).
- 17 Control panel.
- 18 Water hardness test strip.
- 19 Steam wand cleaning needle.

### 2.1 Description of accessories

Accessories included:

#### Measuring/tamping scoop (12)

- Accessory to use to dose the amount of ground coffee into the filter and press it inside.

#### Filters (13, 14, 15)

- This machine includes 3 filters; two pressurised for ground coffee and one for paper coffee pods (Fig.B).

#### Water hardness test strip (18)

- Use the strip supplied to detect the hardness of the water used as indicated in the "Machine setting - Water hardness" paragraph.



# Use

## 2.2 Description of controls (Fig. A)

### ON/OFF key (9)

Voltage is supplied to or removed from the machine by pressing this button.

### Dispensing programme change key (23)

The product has 4 espresso functions and steam function, accessible through two menus, *White Menu* and *Orange Menu*.

Once the machine is ready for use, by pressing this key it is possible to change the dispensing menu from "White" to "Orange" and vice versa.

Key	White menu function
(20)	Single espresso
(21)	Double espresso
(22)	Steam dispensing

Key	Orange menu function
(20)	Long single espresso
(21)	Long double espresso
(22)	Steam dispensing

### Descaling alarm (22)

When the key flashes with an orange light, it indicates that a descaling process is necessary.

## 2.3 Before commissioning (Fig. D)

- Remove any labels and stickers from the coffee machine.
- Thoroughly wash and dry the coffee machine components (see "4 Cleaning and maintenance").
- Remove the lid (10) pulling it upwards and then slide the tank out (11).
- Fill the tank (11) with cool, clean water directly from the tap or using a jug, ensuring not exceed the maximum level indicated on the tank.
- Re-introduce the tank (11) pressing it lightly in a way to open the valves located on the bottom of the tank itself.



Do not use the coffee machine without water in the tank or without the water tank fitted.  
**FAULT HAZARD!**



The parts that may come into contact with foodstuffs are made using materials that comply with the provisions of the legislation in force.



### 3 Use



Before starting the coffee machine, carefully read chapter "1 Warnings" and section "2.3 Before commissioning".

#### 3.1 Commissioning (Fig. G and H)



On commissioning, the internal circuits must be rinsed. Proceed as described below.

- Switch the coffee machine on by pressing the ON/OFF switch (9): the LEDs of keys (20), (21) and (22) flash to indicate that the pre-set temperature is being reached. The coffee machine is ready for use as soon as the three LEDs stop flashing and have a fixed light.
- Attach the filter holder (3) with 2-cup filter (15) to the coffee machine.
- Position a container under the coffee dispensing nozzles and press the key (21).
- Repeat this procedure 5 times.
- Position a container under the hot water/steam wand (7).
- Turn the steam knob (8) anti-clockwise and dispense 100 ml of water.
- Turn the steam knob (8) again in a clockwise direction to end the operation.



It is recommended to rinse the internal circuits also when the coffee machine has not been used for a long period of time.

#### 3.2 Dispensing programme change (Fig. A)

- The machine has two dispensing menus in its memory: *White Menu* and *Orange Menu*.  
To pass from one program to another, press the key (23) .
- In the *White Menu* all of the buttons have white lights, in the *Orange Menu* all of the keys have orange lights.
- For the specific functions of each menu, refer to section "2.2 Description of controls".

#### 3.3 Preparing espresso coffee



The coffee machine has three filters (FIG. B):

1-cup filter (14), 2-cup filter (15) and pod filter (13). The corresponding icon is found under each filter.



To avoid spraying, do not remove the filter-holder during or immediately after dispensing: wait for a few seconds after dispensing has stopped.  
**BURNS HAZARD!**

#### Recommendations for hotter coffee (Fig. G)

In order to obtain a hotter espresso coffee, it is recommended to:

- Heat the cups before making the coffee, by rinsing them under hot water.
- Attach the filter holder (3) to the machine with the filter inserted, without adding coffee. Press the 1-cup key (20) to dispense hot water into the cup to be used to make the coffee, this will heat the cup.



## Use



When the machine has not been used for a while (more than 30 minutes), it is normal for the first cups of coffee not to be at the right temperature. Repeat the procedure described to obtain a hotter coffee.

### Ground coffee (Fig. B-C-E-G)

- Insert the 1-cup (14) or 2-cup ground coffee filter (15) into the filter holder (3).
- Fill the filter (14) or (15) with ground coffee, making sure finely ground coffee is used, which is suitable for the espresso.
- Distribute the ground coffee evenly and tamp down using the tamping scoop (12).
- Remove any excess ground coffee from the edge of the filter holder (3). Attach the filter holder to the dispensing unit (2) and turn it to the right until it locks in place.



- For one cup, fill the relevant filter (14) with a level measure of coffee (approx. 7 grams.)
- For two cups, fill the filter (15) with two level measures.
- To obtain a strong coffee, tamp down the coffee firmly.
- To obtain a weak coffee, tamp down the coffee less.
- Before introducing the filter-holder into the dispensing unit, make sure the edge of the filter is cleaned to remove any coffee residues.

- Position the cup or cups under the filter holder nozzles.
- Press the key relative to the desired function. Preparation ends automatically for every function selected.
- For the specific beverages, refer to section "2.2 Description of controls".

- Once dispensing has ended, wait a few seconds and then remove the filter-holder (3) by turning it to the left.

### Coffee pods (Fig. B-C-F-G)

- Insert the coffee pod filter (13) into the filter holder (3).
- Insert the pod into the filter holder (3), centring it as much as possible. Attach the filter holder (3) to the dispensing unit (2).
- Position the cup or cups under the filter holder nozzles (3) and press the dispensing key (20).
- Once the coffee has been dispensed, turn the filter holder (3) to the left to remove it.



Before dispensing, make sure that the pod flap remains inside the filter, and not on the edge.



- Dispensing can be stopped at any time by pressing the dispensing key again.



After having waited a few seconds following the end of every dispensing operation, it is advised to release the filter-holder and clean the coffee residues from the filter.

### Setting the quantity of coffee

The quantity of coffee dispensed can be customised for every function.

To modify the quantity of coffee dispensed by the machine:

- Position a small or large cup under the dispenser (2).
- Press one of the keys relevant to the beverage to be dispensed (20) or (21) for at least 3 seconds, until the LED of the relative button remains on.
- On reaching the desired quantity, stop dispensing by pressing the key again.



- The length has been set and is stored permanently.

### 3.4 Dispensing steam and preparing a cappuccino (Fig. H and I)

- Press the key (22), which starts to flash. Wait for the key to have a fixed light, which indicates that the correct steam dispensing temperature has been reached.
- When the LED (22) has a fixed light, position an empty recipient under the steam wand (7) and turn the steam knob (8) anti-clockwise to discharge any water present and then close the knob.
- Fill a container with 100 ml of cold milk, for every cappuccino to be prepared.
- Position the container with milk under the milk frothing wand (7), positioning the tip of the frothing wand in contact with the milk.
- Turn the steam knob (8) anti-clockwise to dispense the steam.
- Successively, introduce the steam wand into the milk, creating a vortex with the container of milk.
- Once the ideal temperature has been reached, stop dispensing by turning the steam knob (8) clockwise.
- Pour the frothy milk into the cups with the previously-prepared espresso.



- To make several cappuccinos, first prepare all the coffees and then froth the milk for all of them together.
- At the end of the operation, clean the steam wand (7) immediately using a damp cloth.

- Discharge any milk residues by turning the steam knob to let the steam out.
- Do not dispense steam for longer than 60 seconds max.
- After heating the milk, the internal part of the steam wand (7) must be cleaned by dispensing steam for a few seconds.
- Clean the steam wand (7) every time it is used, to prevent the deposit of milk residues or clogging. For complete cleaning of the steam wand, see the "Cleaning and Maintenance" paragraph.



The drip tray (6) can be removed if tall cups are used.



The result of the steam function can be affected by the ingredients used. To obtain a good cappuccino, we recommend using semi-skimmed or full-fat milk at fridge temperature (about 5°C).



To prevent obtaining milk with not much froth or large bubbles, always clean the steam wand as described in paragraph "4 Cleaning and maintenance".



# Use

## How to cool the heating element (Fig. H)



When the temperature of the heating element is too high to dispense coffee, buttons (20) and (21) flash alternately.

The heating element must be cooled down if you wish to prepare a coffee immediately after frothing milk.

If the heating element is not cooled down, the coffee dispensed will taste burned.

To cool it quickly, proceed as follows:

- Position a container underneath the steam wand (7) and turn the steam knob (8) anti-clockwise to dispense hot water.
- The steam wand (7) will initially dispense steam. Burns hazard. Successively, hot water will be dispensed. This means that the heating element has reached the correct temperature to dispense coffee.
- Turn the steam knob (8) clockwise and prepare the coffee.

## 3.5 Dispensing hot water (Fig. H)

- Turn the machine on using the ON/OFF switch and wait until the coffee dispensing LEDs have a fixed light.
- Position a recipient under the steam wand (7).
- Turn the steam knob (8) anti-clockwise and dispense hot water.
- Stop dispensing by turning the steam knob (8) clockwise.

## 3.6 Accessing the programming menu and changing the settings

- Make sure that the machine is ready for use and maintenance. Press the key (23) for 5 seconds until all keys start to flash: the machine is in programming mode.
- Set the machine to meet your requirements (see the next page).
- To exit the menu, wait for 30 seconds without pressing any key.

### Setting the coffee temperature

- Access the programming menu.
- Press the key (20) to set the temperature of the coffee.
- The key (20) flashes 3 times, after which the current setting LEDs turn on:




LEDs	Setting the temperature
	Low
	Medium
	High

- The LEDs start to flash in sequence.
- Press the key corresponding to the desired temperature: low (20), medium (21) or high (22).
- The key selected flashes to indicate the selection has been stored and a single sound is emitted if the acoustic signals are activated.






## Setting water hardness

- The machine is factory set to “Hard Water Level”. The machine can also be set according to the actual water hardness in the various regions for less frequent descaling.
- If you don't know the water hardness, use the test strip supplied (18) and follow the instructions below.
- Remove the reactive strip supplied from its packaging.
- Fully submerge the strip in a glass of water for about one second.
- Remove the strip from the water and shake it slightly. Read the results after approx. one minute.  
If 5 blue stripes appear on the strip, select the “soft water” setting.  
If 1 or 2 pink stripes appear on the strip, select the “average water” setting.  
If 3, 4 or 5 pink stripes appear on the strip, select the “hard water” setting.
- Access the programming menu.
- Press the key (21) to set water hardness.
- The key (21) flashes 3 times, after which the current setting LEDs turn on:

LEDs	Setting water
	Soft
	Medium
	Hard

- The LEDs start to flash in sequence.

- Press the key corresponding to water hardness:

 Soft	 Medium	 Hard
<10°dH	10°dH - 20°dH	>20°dH
<18°FH	18°FH - 36°FH	>36°FH
<180 mg/l CaCo3	180-300 mg/l CaCo3	360 mg/l CaCo3

- The key selected flashes to indicate the selection has been stored and a single sound is emitted if the acoustic signals are activated.



To prolong machine operation and preserve the aroma and flavour of the coffee, use of the Smeg Water Softener Filter is recommended (optional, not supplied). For installation and operation, follow the instructions accompanying the accessory. Once installed, set the level of water hardness at "Soft", following the indications in the previous paragraph.

## Setting the automatic shut-off time

In order to save energy, the coffee machine has an automatic shut-off function and will turn itself off when it has not been used for a certain period of time.

To turn the appliance back on, press any button on the control panel.




To set the automatic shut-off time:

- Access the programming menu (see section “3.6 Access programming menu and change settings”).
- Press the key (22) to set the automatic shut-off time.



# Cleaning and maintenance

- The key (22) flashes 3 times, after which the current setting LEDs turn on:

LEDs	Time setting
	10 minutes
	30 minutes
	1 hour

- The LEDs start to flash in sequence.
- Press the button corresponding to the time you wish to set, choosing from 10 minutes (20), 30 minutes (21) or 1 hour (22).
- The key selected flashes to indicate the selection has been stored and a single sound is emitted if the acoustic signals are activated.

## Restoring factory values

To restore factory settings:

- Hold keys (21) and (23) down simultaneously for at least 10 seconds.
- All of the buttons will flash together once to indicate that the original settings have been reset.

## Activation/deactivation of acoustic signals

- The machine is set by default with the acoustic signals deactivated.
- The acoustic signals can be disabled/enabled by holding keys (20) and (23) down for 5 seconds;
- The key (20) flashes three times indicating that the setting has been stored.

## 4 Cleaning and maintenance

### 4.1 Warnings



Electrocution hazard.

- Remove the plug from the power outlet before cleaning the coffee machine.
- Never immerse the coffee machine in water or other liquids.
- Allow the coffee machine to cool down before cleaning.



Risk of damage to the surfaces.

- Do not use steam jets to clean the coffee machine.
- Do not use cleaning products containing chlorine, ammonia or bleach on parts with metal surface finishes (e.g. anodised, nickel or chrome-plated).
- Do not use abrasive or corrosive detergents (e.g. powder products, stain removers and metal scourers).
- Do not use rough or abrasive materials or sharp metal scrapers.

### 4.2 Cleaning the coffee machine body

To keep the external surfaces in good condition, they must be cleaned regularly after all use and when they have cooled down. Clean with a soft, damp cloth.





## 4.3 Cleaning the coffee machine components

### Cleaning the drip tray (Fig. I)

The drip tray (6) is equipped with a red float (5) which projects from the cup holder tray when the maximum liquid level is exceeded.

- Remove the cup holder tray (4) and then remove the drip tray (6) to empty it.
- Clean the drip tray (6) with a cloth and then re-position it together with the cup holder tray (4).
- Dry components and reassemble in the machine.

### Cleaning the coffee filters

Clean the coffee filters (13), (14) and (15) regularly under running water. If the holes are clogged, clean them using the needle supplied (19).

### Cleaning the steam wand (Fig. L)

Clean the steam wand (7) immediately after use.

- Turn the steam knob (8) anti-clockwise to let a little steam out and allow any milk inside to flow out.
- Check that the steam exit hole is not blocked. In the event of any deposits, clean the steam exit hole using the needle supplied (19).

### Cleaning the dispensing unit

The dispensing unit (2) must be rinsed every 200 coffees made by dispensing approximately 500 ml of water by pressing the coffee keys (20) or (21) without adding ground coffee or a pod.

### Cleaning the water tank

Clean the water tank (11) approx. once a month using a moist cloth and mild detergent.



# Cleaning and maintenance

## 4.4 Descaling

The coffee machine needs descaling when the orange LED on the key (steam) flashes.

The warning will be displayed every time the machine exits the stand-by status, until the descaling procedure is performed.

Proceed as follows to run the descaling cycle:

- Empty the water tank (11) completely and remove the water softening filter (if present).
- Fill the water tank (11) up to MAX with a solution of water and descaler following the doses recommended by the manufacturer.
- Remove the filter holder (3) and position a container under the dispenser (2) and the steam wand (7).
- Turn the machine on by pressing the ON/OFF button.
- As soon as the machine is ready, hold the key (22) down for 10 seconds until the orange LED has a fixed light.
- Turn the steam knob (8) anti-clockwise.
- Press the key (22) to start descaling, the key (22) starts to flash.
- The descaling cycle automatically performs a series of rinse cycles at intervals to remove lime scale from the inside of the coffee machine, continuing until the tank (11) is empty.
- The descaling cycle stops and the white LED (22) switches on.
- Remove the water tank (11), empty it and rinse it out.
- Fill the tank (11) with water to the maximum level mark and insert it into its housing.
- Position an empty container under the steam wand (7), an empty container under the dispensing unit (2) and check that the steam knob (8) is horizontal.
- Press the steam key (22) again to start the rinse cycle.

- When the tank (11) is empty, it means that the rinse cycle has ended and the machine goes back to ready status.
- Turn the steam knob (8) clockwise.



Personal injury hazard.

- The descaler contains acids that can irritate the skin and eyes.
- Follow the manufacturer's instructions and safety warnings on the packet scrupulously in the event of contact with skin or eyes.
- Use descaler products recommended by Smeg to prevent damage to the coffee machine.

# What to do if...



Problem	Possible causes	Solution
Coffee does not come out.	No water in the tank (11). Buttons (20) and (21) flash.	Fill the tank (11).
	The filter holes (13-14-15) are blocked.	Clean the filter (13-14-15) using the needle supplied (19).
	The tank (11) is not inserted correctly.	Insert the tank (11) correctly into its housing.
	Lime scale build-up.	Perform a descaling cycle.
The coffee drips from the filter holder (3) and not from the nozzles.	The filter holder (3) is not attached correctly or is dirty.	Attach the filter holder (3) and rotate it fully home. Clean the filter holder (3).
	The dispensing unit gasket is worn.	Have it replaced at an authorised After-sales Centre.
	The nozzle holes are blocked.	Clean the nozzle holes.
	The filter has been overfilled.	Introduce the correct quantity into the filter using the measuring scoop supplied.
The filter holder (3) will not attach to the coffee machine.	The filter has been overfilled.	Use the measuring scoop (12) supplied and use the correct filter.
The coffee machine does not work and all the LEDs flash.	Possible fault.	Unplug the coffee machine and contact an Authorised After-sales Centre.
The "crema" of the coffee is light in colour and comes out of the nozzle quickly.	The ground coffee has not been tamped sufficiently.	Tamp the coffee harder.
	There is insufficient ground coffee.	Increase the amount.
	The ground coffee is too coarse.	Use only ground coffee for espresso coffee machines.
	Poor quality ground coffee.	Change the type of ground coffee.



## What to do if...

Problem	Possible causes	Solution
The "crema" of the coffee is dark in colour and comes out of the nozzle slowly.	The ground coffee has not been tamped too hard.	Tamp the coffee with less force.
	There is too much ground coffee.	Reduce the amount used.
	The dispensing unit (2) or filter (13-14-15) are blocked.	Clean the dispensing unit (2) and the filter (13-14-15).
	The ground coffee is too fine.	Use only ground coffee for espresso coffee machines.
The LEDs (20) and (21) flash for a few seconds.	Lime scale build-up.	Perform a descaling cycle.
	Steam knob (8) open.	Turn the steam knob (8) clockwise to close it.
	High heating element temperature.	Cool the heating element as described on page 6.
	No water in the tank (11).	Fill the tank (11).
The coffee is not hot.	The tank (11) is not inserted correctly.	Insert the tank (11) correctly into its housing.
	Machine not used for a long period of time.	Increase the temperature of the coffee from the programming menu following that indicated in the "Setting the coffee temperature" paragraph. Dispense hot water into the cup in which the coffee will be prepared in order to heat the cup, as described in paragraph 3.3.
	The cups have not been pre-heated.	Heat cups by rinsing them with hot water (Note: the hot water function can be used).
Insufficient frothing.	The steam wand is dirty.	Thoroughly clean the steam wand removing the steel nozzle and following the instructions in the manual. Note: froth quality also depends on the type of milk used and its temperature.

## What to do if...



2

Problem	Possible causes	Solution
The machine does not dispense steam.	The steam function was not correctly turned on.	Follow the instructions in paragraph "Steam dispensing".
	The machine did not reach the steam dispensing temperature.	Wait until the temperature is reached, indicated by key (22) with fixed light.
Steam wand drips during dispensing	Lime scale build-up.	Perform a descaling cycle.
	Lime scale build-up	Perform a de-scaling cycle.



Contact local technical support if the problem is not solved or in case of other types of faults.