

KTR90XE

| | |
|----------------|----------------------|
| Product family | Hood |
| Hood Type | Decorative wall hood |
| Design | Chimney |
| Extraction | Extraction |
| Material | Stainless steel |
| Type of steel | Brushed |
| EAN code | 8017709211684 |
| Hood width | 90 cm |



Aesthetics

| | | | |
|------------------|-----------------------------|----------------|------------------|
| Aesthetic Colour | Victoria Stainless steel | Finishing Logo | Satin Applied |
|------------------|-----------------------------|----------------|------------------|

Controls

| | | | |
|-----------------|---------------|-----------------|--------------|
| Control setting | Control knobs | Control knobs | Victoria |
| No. of controls | 2 | Controls colour | Steel effect |

Programme / Functions

| | |
|-----------------|---|
| No. of speeds | 3 |
| Intensive speed |  |

Technical Features

| | | | |
|--|-----------------------|------------------------------------|-----------|
|   | | | |
| No. of lights | 2 | No. of filters | 3 |
| Light type | LED | Anti-grease filters | Aluminium |
| Light Power | 1 W | Vent outlet | 150 mm |
| Light color temperature scale (°K) | 3000 °K | Minimum distance from GAS hob | 750 mm |
| Free outlet maximum capacity | 820 m ³ /h | Minimum distance from ELECTRIC hob | 650 mm |
| Motor power | 275 W | Non return valve | Yes |

| | Extraction rate IEC 61591 [m³/h] | Noise level IEC 60704-2-13 [dB(A)] |
|-----------------|----------------------------------|------------------------------------|
| Speed 1 | 334 | 49 |
| Speed 2 | 439 | 57 |
| Speed 3 | 567 | 61 |
| Intensive speed | 788 | 69 |

Performance / Energy Label



| | | | |
|--|-------------|--|----------|
| Annual Efficiency Consumption (AEChood) | 59 kWh/a | Airbourne acoustical A-weighted sound Power Emission at minimum speed (SPEmin) | 49 dB(A) |
| Energy efficiency class (EEC) | A | Airborne acoustical A-weighted sound Power Emission at maximum speed (SPEmax) | 61 dB(A) |
| Fluid Dynamic Efficiency (FDE) | 30 | Airbourne acoustical A-weighted sound power emission at boost speed (SPEboost) | 69 dB(A) |
| Fluid Dynamic Efficiency class (FDEC) | A | Time increase factor (F) | 1,00 |
| Lighting Efficiency (LE) | 102,3 lux/W | Energy Efficiency Index | 52,4 |
| Lighting Efficiency Class (LEC) | A | Measured air flow rate at best efficiency point (Qbep) | 438 m³/h |
| Grease Filtering Efficiency (GFE) | 76,6 % | Measured air pressure at best efficiency point (Pbep) | 434 Pa |
| Grease Filtering Efficiency Class (GFEC) | C | Measured electric power input at best efficiency point (Wbep) | 176 W |
| Air flow at mininum speed (Qmin) | 334 m³/h | Nominal Power consumption of the light system (WL) | 2 W |
| Air flow at maximum speed (Qmax) | 567 m³/h | Average illumination of the light on the cooking surface (Emiddle) | 225 lux |
| Air flow at boost speed (Qboost) | 788 m³/h | Sound power level at highest setting (Lwa) | 61 dB(A) |

Electrical Connection

| | | | |
|------------------------------|-------------|---------------------------|----------|
| Plug | Not present | Frequency (Hz) | 50-60 Hz |
| Electrical connection rating | 278 W | Power supply cable length | 1000 mm |
| Voltage | 220-240 V | | |

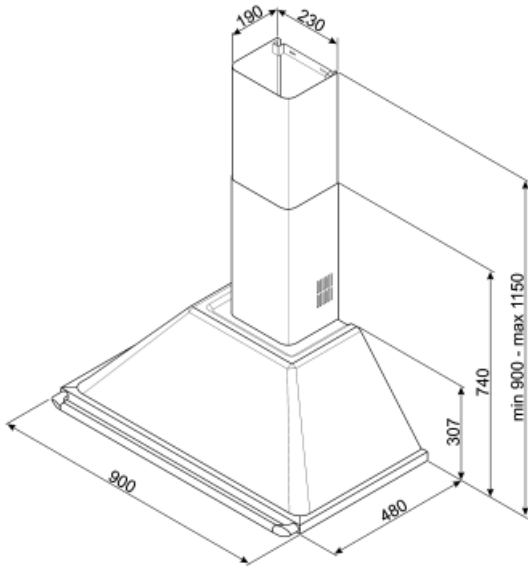
Also available

Alternative colours available

White, Black, Cream

Available colours

KT90BE - KT90BLE - KT90PE



Not included accessories



FLT6

Round Charcoal filters (kit 2 pieces)



KITALLFC

Universal Charcoal filter Stainless Steel AISI 304 The filter can be washed in dishwasher 50 °C (water and suitable detergent) and to dry it put in the oven 180°C 25 minutes



KITCMNKXU

Chimney extension size 227.5 * 190 * 800 mm stainless steel, allow to reach 1475 mm of total high of the hood

Symbols glossary (TT)



Filters: Model has filters to help remove grease from the steam emanating from the pans during cooking.



Lights: All cooker hoods feature lights to illuminate the cooking area or add to the ambience of the kitchen.



Intensive/turbo setting: when extra fast extraction is required.