

# KC16AOE

Product family	Hood
Hood Type	Decorative wall hood
Design	Chimney
Extraction	Extraction
Material	Heat-moulded
EAN code	8017709211721
Hood width	60 cm



## Aesthetics

Aesthetic Colour	Cortina Anthracite	Components finishing Logo	Antique brass Applied
------------------	--------------------	---------------------------	-----------------------



## Controls

Control setting	Control knobs	Control knobs	Cortina
No. of controls	2	Controls colour	Anthracite

## Programme / Functions

No. of speeds	3
Intensive speed	

## Technical Features

 			
No. of lights	2	Motor power	275 W
Light type	LED	No. of filters	2
Light Power	1 W	Anti-grease filters	Aluminium
Light color temperature scale (°K)	3000 °K	Vent outlet	150 mm
Free outlet maximum capacity	820 m <sup>3</sup> /h	Non return valve	Yes

	Extraction rate IEC 61591 [m <sup>3</sup> /h]	Noise level IEC 60704-2-13 [dB(A)]
Speed 1	337	50
Speed 2	439	57
Speed 3	582	64
Intensive speed	798	71

## Performance / Energy Label



Annual Efficiency Consumption (AEChood)	56 kWh/a	Airborne acoustical A-weighted sound Power Emission at maximum speed (SPEmax)	64 dB(A)
Energy efficiency class (EEC)	A	Airbourne acoustical A-weighted sound power emission at boost speed (SPEboost)	71 dB(A)
Fluid Dynamic Efficiency (FDE)	25.9	Power consumption in stand-by mode (Ps)	1.00 W
Fluid Dynamic Efficiency class (FDEC)	A	Time increase factor (F)	1.00
Lighting Efficiency (LE)	128.6 lux/W	Energy Efficiency Index	52
Lighting Efficiency Class (LEC)	A	Measured air flow rate at best efficiency point (Qbep)	412 m <sup>3</sup> /h
Grease Filtering Efficiency (GFE)	78 %	Measured air pressure at best efficiency point (Pbep)	451 Pa
Grease Filtering Efficiency Class (GFEC)	C	Measured electric power input at best efficiency point (Wbep)	166 W
Air flow at mininum speed (Qmin)	337 m <sup>3</sup> /h	Nominal Power consumption of the light system (WL)	2 W
Air flow at maximum speed (Qmax)	582 m <sup>3</sup> /h	Average illumination of the light on the cooking surface (Emiddle)	283 lux
Air flow at boost speed (Qboost)	798 m <sup>3</sup> /h	Sound power level at highest setting (Lwa)	64 dB(A)
Airbourne acouistical A-weighted sound Power Emission at minimum speed (SPEmin)	50 dB(A)		

## Electrical Connection

Plug	Not present	Frequency (Hz)	50-60 Hz
Electrical connection rating	277 W	Power supply cable length	1000 mm
Voltage	220-240 V		

## Also available

Alternative colours available

Cream

Available colours

KC16AOE

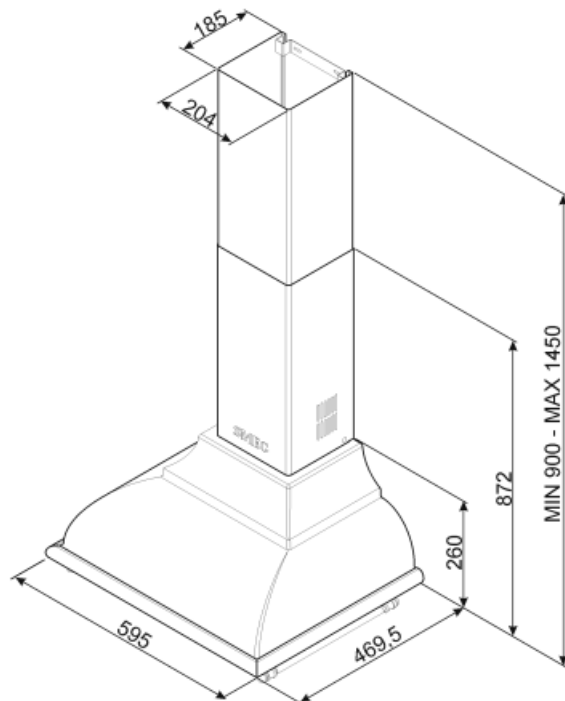
## Optional accessories

Charcoal filter

FLT6

Kit with aesthetic components

KITKCS-2/ KITKCX-2/  
KITLOGOCR/ KITLOGOAS



---

## Not included accessories

---



**KITLOGOCR**  
KIT LOGO CHROME FINISHING



**KITKCO-2**  
KIT LOGO & HANDRAIL BRASS FINISHING



**FLT6**  
Round Charcoal filters (kit 2 pieces)



**KITLOGOAS**  
KIT LOGO ANTIQUE SILVER FINISHING



**KITKCX-2**  
KIT LOGO & HANDRAIL CHROME FINISHING



**KITALLFC**  
Universal Charcoal filter Stainless Steel AISI 304 The filter can be washed in dishwasher 50 °C (water and suitable detergent) and to dry it put in the oven 180°C 25 minutes

---

## Symbols glossary (TT)

---



**Filters:** Model has filters to help remove grease from the steam emanating from the pans during cooking.



**Lights:** All cooker hoods feature lights to illuminate the cooking area or add to the ambience of the kitchen.



**Intensive/turbo setting:** when extra fast extraction is required.