



## A

Extendable table ventilation, when not in use can be completely lowered into the worktop

Can be combined perfectly with all Vario cooktops 400 series  
Dimmable, neutral white surface LED light for ideal illumination of the cooktop

Precision crafted 3 mm stainless steel  
For surface mounting with a visible edge or for flush mounting  
Motorless, can be combined with Gaggenau BLDC remote fan units

### Output

Power levels depend on the remote fan unit.

### Features

3 electronically controlled power levels and 1 intensive mode.

Interval ventilation, 6 min.  
Run-on function, 6 min.

Grease filter saturation indicator.  
2 large-scale metal grease filters included, easy to remove and dishwasher-safe.

Grease drip trays, easy to remove and dishwasher-safe.

Neutral white surface LED light (3600 K), continuously dimmable.

Lamp output 4 x 10 W.  
Illuminance 400 lx.

Flexible connection options to the remote fan unit: at the bottom, at the front or at the back.

In all the options, it is possible to have space for drawers in front of the table ventilation.

### Consumption data

Consumption data is referred to a configuration with the remote fan unit AR 400 142.

Energy efficiency class A at a range of energy efficiency classes from A+++ to D.

Energy consumption 45.5 kWh/year.  
Ventilation efficiency class A.

Illumination efficiency class C.  
Grease filter efficiency class B.

Sound level min. 45 dB / max. 61 dB normal mode.

### Planning notes

The equivalent ducting length to ensure good performance is Lmax 19 m.

Combinable with all cooktops Vario 400 series, 400 series and 200 series.

Maximum cooktops width: 90 cm.  
Depending on the type of installation, the corresponding accessories must be ordered separately.

Air recirculation is not recommended in combination with Vario electric grill.

For optimum performance in air recirculation we recommend an outflow surface area of at least 400 cm<sup>2</sup>.

Operation of Vario cooking appliances only possible without appliance cover.  
Max. output of cooktops 18 kW.

The table ventilation must have its own worktop cut-out.

The bearing capacity and stability, in the case of thinner worktops in particular, must be supported using suitable substructures. Take into account the appliance weight and additional loads.

### Color Variants

AL400192

### Required installation accessories

AD754049

AD854050

### Installation Accessories

AA409401

AD704050

### Characteristics

Product name/family

Color chimney

Typology

Downdraft

Length electrical supply cord

170

Required niche size for installation (HxWxD)

540mm x 840.0mm x 125mm

Height of the chimney

Height of product, without chimney

540

Net weight

34.0

Type of control

Electronic

Number of speed settings

3-stages + intensive setting

Maximum output air extraction

600

Boost position output recirculating

Maximum output recirculating air

530

Boost position air extraction

Number of lights

4

Noise level

61

Diameter of air outlet

Grease filter material

Washable stainless steel

Odour filter

No

Operating Mode

Convertible

Required accessories

Optional accessories

AA400510

Type of lamps used

LED

Total power of the lamps

20

Grease filter type

Kassette

Clean filter reminders

Yes

Connection Rating

65

Fuse protection

10

Voltage

230

Frequency

50; 60

Plug type

Gardy plug w/ earthing, GB plug

Installation typology

Built-in

Universal Product Code

Material body

Stainless steel

Length of electrical supply cord (in)

Plug type

Gardy plug w/ earthing, GB plug

Dimensions of the product, with chimney (if exists) (in)

x x

Dimensions of the packed product

14.96 x 24.99 x 40.55

Height of the chimney (in)

Vertical rise height

Required distance above cooktop/ranges

Net weight

75.000

Gross weight

86.000

Motor location

External motor

Maximum output recirculating air

Diameter of air duct (in) top

Diameter of air duct (in) back

Discharge direction

horizontal

No-return airflow flap

No

Length electrical supply cord

170

Dimensions of the product, with chimney (if exists)

280 x 800 x 140.0

The remaining surface of the worktop (min. 50 mm) between the cut-outs must be reinforced with a support. It is recommended to use furniture support AA 409 401/431.

Additional instructions for flush mounting:

Installation is possible in worktops made of stone, synthetics or solid wood. Heat resistance and watertight sealing of the cut edges must be observed. Concerning other materials please consult the worktop manufacturer.

Depending on the type of installation, ovens can be combined with the table ventilation.

When installing a ventilation hood with air extraction mode and a chimney-vented fireplace, the power supply line of the ventilation appliance needs a suitable safety switch.

The control unit should be accessible and be secured to a panel of the cabinet that avoids any risk of flooding.

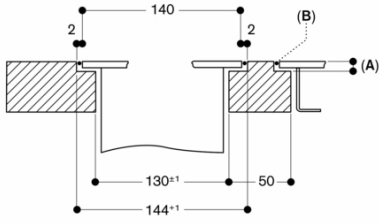
### Connection

Total connected load 65 W.

Connecting cable 1.7 m with plug.

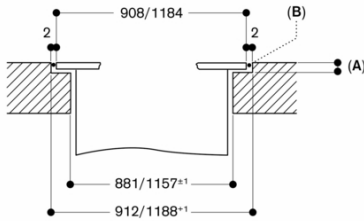
Network cable 1.2 m.

Cross section

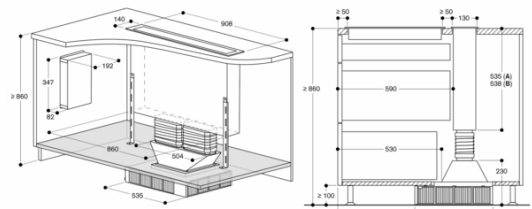


A: 3.5<sup>0.5</sup> mm  
B: Fill with silicone  
Measurements in mm

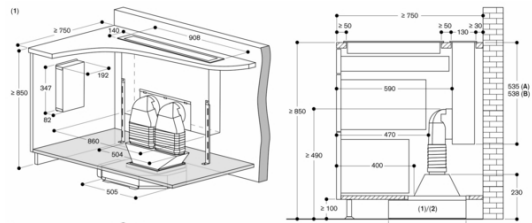
Longitudinal section



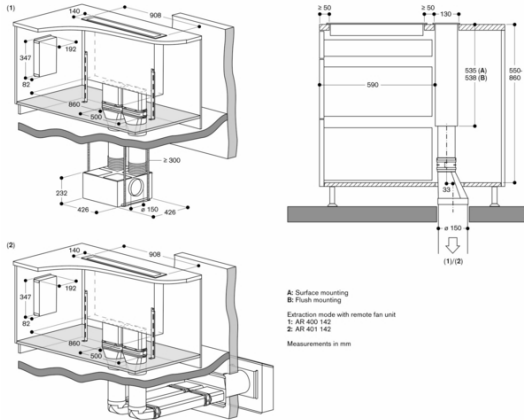
A: 3.5<sup>0.5</sup> mm  
B: Fill with silicone  
Measurements in mm



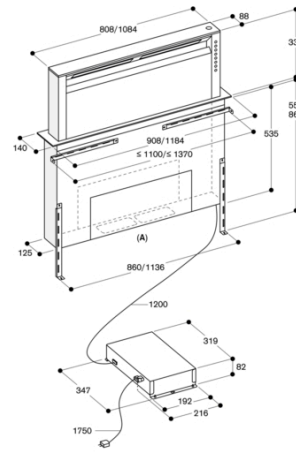
A: Surface mounting  
B: Flush mounting  
C: 750 mm with a worktop at min. height 920 mm  
Not recommended for nonthermally insulated floor ( $U \geq 0.5 \text{ W/m}^2\text{K}$ )  
Measurements in mm



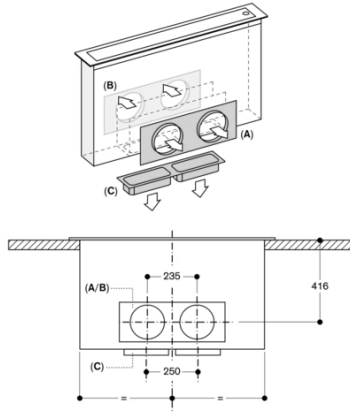
A: Surface mounting  
B: Flush mounting  
Placing with remote fan unit  
1: AR 403 122  
2: AR 413 122  
Not recommended for non-thermally insulated outer wall or floor ( $U \geq 0.5 \text{ W/m}^2\text{K}$ )  
Measurements in mm



A: Surface mounting  
B: Flush mounting  
Extraction mode with remote fan unit  
1: AR 403 142  
2: AR 401 142  
Measurements in mm

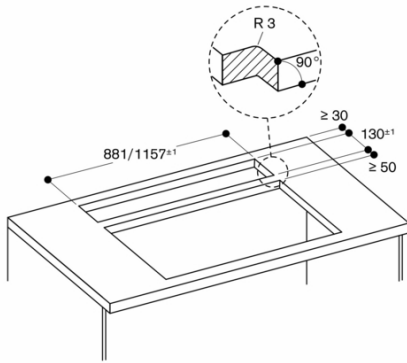


A: Flexible connection of the hood at the front, the back, or at the bottom  
Measurements in mm

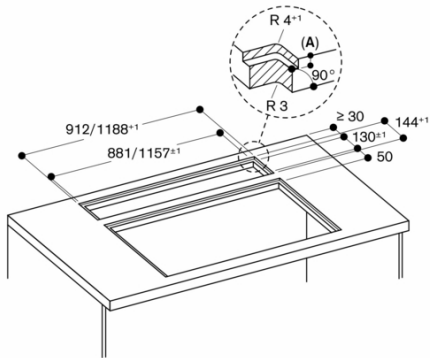


A: Connection at the front with AD 754 049  
B: Connection at the back with AD 754 049  
C: Connection at the bottom with AD 854 050

Measurements in mm



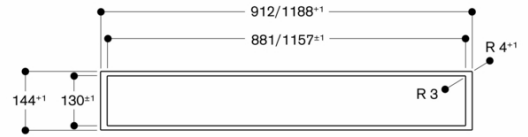
Measurements in mm



A: 3.5<sup>±0.5</sup> mm

Measurements in mm

View from above



Measurements in mm

AA 409 401/431 furniture support

