

WWK360 WCS PWash&10kg
W1 front-loader washing machine
with QuickPowerWash and 10 kg load size for fast washing performance.



- Tested for 20 years of perfect laundry care
- Save energy in the best energy efficiency class (A)
- QuickPowerWash ensures fast, efficient results in just 49 minutes
- The Pre-ironing extra reduces creasing and saves up to 50 % time and effort
- Gentle XXL laundry care with the 10 kg honeycomb drum



EAN: 4002516789192 / Material number: 12392770 / Old Material Number: 11WK3601GB

Construction type	
Suitable for stacking	•
Side-by-side	•
Slot-in	•
Door hinge	right
Model	
Product brand	W1 White Edition
Front-loader	•
Spinning	
Max. spin speed	1400
Rinse hold	•
Without spin function	•
Design	
Appliance colour	Lotus white
Control panel colour	Lotus white
Door design	Obsidian black with chrome ring
Rotary selector colour	Lotus White / Chrome ring
Control panel version	5° inclined
Control type	Rotary control
Display	DirectSensor white, 7 segment
Cleaning performance	
Innovative PowerWash technology	•
CapDosing portioned dispensing	•
Gentle laundry care	
Honeycomb drum	•
Load in kg	10.0
User convenience	
Networking with Miele@home	•
Delay start up to 24 hours	•
Time left display	•
Programme sequence indicator	•
AutoClean detergent drawer	•
AddLoad	•
Efficiency and sustainability	
Energy efficiency class (A–G)	A
Weighted energy consumption per 100 operating cycles for the wash cycle in kWh	52
Weighted water consumption per cycle in l	53
Spin efficiency class	B
Acoustic airborne noise emission class (spin cycle)	A
Sound emissions during spin cycle in dB(A) re 1 pW	71
Duration of the "ECO 40–60" programme at nominal capacity	239
Power rating in off mode in W	0.40
Power rating in networked standby in W	0.80
Low temperature wash "Cold" and "20 °C"	•
Automatic load control	•
Flow meter	•
Foam sensing	•

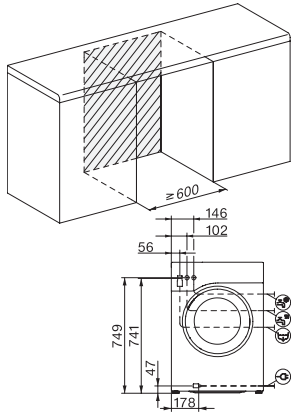
WWK360 WCS PWash&10kg
W1 front-loader washing machine
with QuickPowerWash and 10 kg load size for fast washing performance.



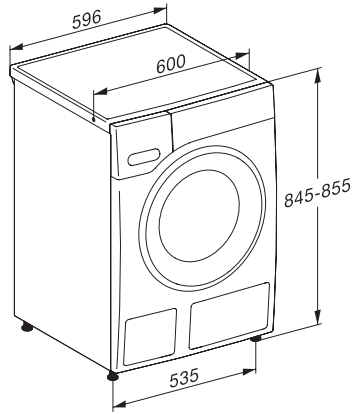
EAN: 4002516789192 / Material number: 12392770 / Old Material Number: 11WK3601GB

ProfiEco motor	•
Wash programmes	
QuickPowerWash	•
Cottons (coloureds)	•
Minimum iron	•
Delicates	•
Shirts	•
Woollens (hand-washable)	•
Express 20	•
Dark garments / Denim	•
Proofing	•
Drain / Spin	•
ECO 40-60	•
Washing extras	
Short	•
Pre-wash	•
Water plus	•
Additional rinse cycle	•
Pre-ironing with steam	•
Buzzer	•
Quality	
Counterweights made of cast iron	•
Safety	
Water protection system	Watercontrol-System
Safety lock	•
PIN-Code	•
Optical interface	•
Technical data	
Dimensions in mm (width)	596
Dimensions in mm (height)	850
Dimensions in mm (depth)	643
Appliance depth in mm with opened door	1077
Weight in kg	93
Total rated load in kW	2.10-2.40
Voltage in V	220-240
Fuse rating in A	13
Frequency in Hz	50
Length of supply lead in m	2
Accessories included	
3 Caps	•
Voucher for Miele detergent	•

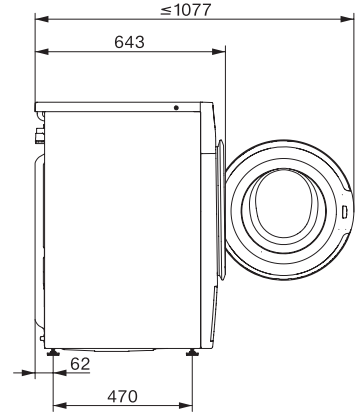
WWK360 WCS PWash&10kg
W1 front-loader washing machine
with QuickPowerWash and 10 kg load size for fast washing performance.



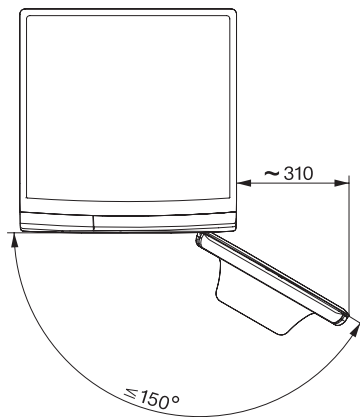
W1 drawing, facia 5 degree, measures in mm



W1 drawing, facia 5 degree, measures in mm



W1 drawing, facia 5 degree, measures in mm



W1 drawing, facia 5 degree, measures in mm