



BOP250102

Included accessories

- 1 x enamel baking tray, suit. pyrolytic clean
- 1 x glass pan
- 1 x grill shelf
- 1 x pluggable meat probe

Optional accessories

BA016105:

1 telescopic shelf rail, for 60cm oven

BA026115:

Baking tray, for 60cm oven

BA036105:

wire rack, for 60cm oven

BA046117:

Glass tray, for 60cm oven

BA056115:

Heating elem. 230 V, for 60cm oven

BA056133:

Baking stone for 60 cm oven

BA226105:

Grill tray, for 60cm oven

BS020002:

Set of 2 pizza paddles

GN340230:

Gastronorm roaster GN 2/3

installation accessories

oven 200 series

60 x 60 cm, door hinge: right, Gaggenau

Anthracite

BOP250102

– Pyrolytic cleaning programme heats up to 485 °C

– Flush installation.

Pyrolytic self-cleaning.

13 heating methods with core temperature

probe and baking stone function

Automatic programmes

Core temperature probe with estimation of cooking time

TFT touch display

Panel-free appliance with surface control module

Electronic temperature control from 30 °C to 300 °C

Net volume 76 litres

Heating methods

Hot air.

Eco hot air. Top + bottom heat. Top heat.

Bottom heat. Hot air + bottom heat. Full surface

grill + circulated air. Full surface grill. Compact

grill. Baking stone function. Roaster function.

Dough proofing. Defrosting.

Handling

Rotary knob and TFT touch display operation.

Clear text display.

Option to save individual recipes (incl. core temperature probe).

Personalisation of automatic programmes.

Information key with use indicators.

Side-opening door opens up to 110° angle.

Features

Three-point core temperature probe with automatic shut-off and estimation of cooking time.

Automatic programmes.

Baking stone socket.

Actual temperature display.

Rapid heating.

Timer functions: cooking time, cooking time end, timer, stopwatch, long-term timer (certified by Star-K).

60 W halogen light on the top.

Enamelled side shelf supports with 4 tray levels, pyrolysis-safe.

Selected digital services (Gaggenau Home Connect)

Automatic programmes.

Remote control and monitoring.

Recipes.

Home network integration for digital services

(Home Connect) either via cable connection

LAN (recommended) or wireless via WiFi.

The use of the Home Connect functionality depends on the Home Connect services, which are not available in every country. For further information please check: home-connect.com.

Safety

Thermally insulated door with quintuple glazing.

Child lock.

Safety shut-off.

Cooled housing with temperature protection.

Cleaning

Pyrolytic system.

Gaggenau enamel.

Heated catalyser to clean the oven air.

Planning notes

Door hinge not reversible.

The door panel surface of the appliance extends 21 mm from the furniture cavity.

The outer edge of the door handle extends 72 mm from the furniture cavity.

Necessary lateral gap between appliance door and furniture panel of min. 5 mm.

Consider the overhang, incl. the door handle, when planning to open drawers next to the appliance.

When planning a corner solution, pay attention to the side-opening door and the minimum required distance to the wall.

For installation underneath cooktops: distance between the underside of the cooktop and the top edge of the oven housing: min. 15 mm. The planning notes for the cooktops (particularly regarding ventilation, gas/electric connection) must be taken into account.

To achieve the 550 mm installation depth, the connection cable needs to follow the slanted edge on the corner of the housing.

The mains socket needs to be planned outside the built-in niche.

The LAN port can be found at the back on the upper right side.

Connection

Energy efficiency class A at a range of energy efficiency classes from A+++ to D.

Total connected load 3.7 KW.

Plan a connection cable.

Plan a LAN cable.

Power consumption standby/display on 0.7 W.

Power consumption standby/display off 0.5 W.

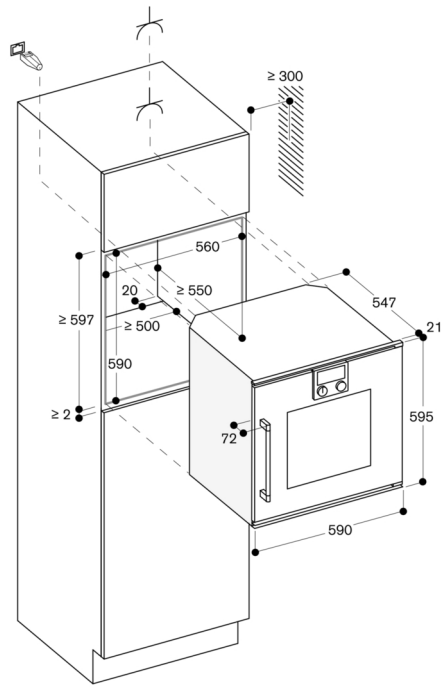
Power consumption standby/network 1.4 W.

Time auto-standby/display on 20 min.

Time auto-standby/display off 20 min.

Time auto-standby/network 20 min.

Please check the user manual for how to switch off the WiFi module.



measurements in mm