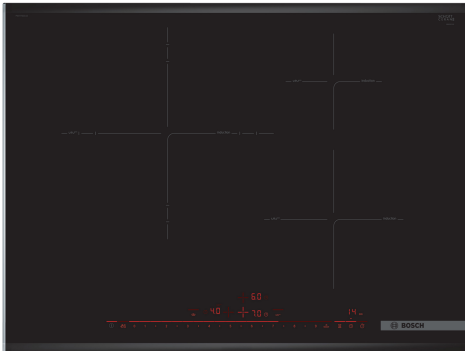


**Series 8, Induction hob, 70 cm,  
Black,  
PID775DC1E**



HEZ32WA00 Wireless food thermometer, HEZ390090 Wok Set consisting of 3 Items, HEZ390210 System pan diameter 15 cm, HEZ390230 System pan diameter 21cm, HEZ390250 System pan diameter 28 cm, HEZ394301 Connecting strip, HEZ9CF240 Fry pan, coated 24cm Ø, HEZ9CF280 Fry pan, coated 28cm Ø, HEZ9ES100 Espresso maker 4 cups, HEZ9FE280 Iron pan Ø 18 / 28 cm, HEZ9SE030 Set of 2 pots and 1 pan, HEZ9SE040 4 pieces Set, HEZ9SE060 6 pieces Set

**The induction hob with PerfectFry: achieve perfect frying results thanks to automatic temperature control.**

- **DirectSelect Premium:** spacious and intuitive touch interface.
- **32 cm threefold cooking zone:** Expandable cooking zone for small and large pots and pans.
- **PerfectFry:** no more worries about scorching.
- **Comfort Profile:** elegant, appealing design with bevelled front and metal strips on the side.
- **Power Boost:** up to 35% faster heating compared to highest power level.

Product name/family: ..... Cooking zone ceramic  
 Built-in / Free-standing: ..... Built-in  
 Energy input: ..... Electric  
 Total number of positions that can be used at the same time: ..... 3  
 Min. required niche size for installation (HxWxD): .....51 x 560-560 x 490-500 mm  
 Width of the appliance: ..... 710 mm  
 Dimensions: ..... 51x710x527 mm  
 Dimensions of the packed product (HxWxD): ..... 126 x 953 x 608 mm  
 Net weight: ..... 12.5 kg  
 Gross weight: ..... 16.2 kg  
 Residual heat indicator: .....yes  
 Location of control panel: ..... Front  
 Basic surface material: ..... Ceramic  
 Color of surface: ..... Black, Alu, brushed  
 Length electrical supply cord: ..... 110.0 cm  
 Sealed Burners: ..... No  
 Power Boost: ..... All cooking zones  
 Power of 2nd heating element (kW): ..... 2.2 ; 2.6 ; 3.3 kW  
 Power of 5th heating element (kW): ..... 1.4 kW  
 Power of 5th heating element (kW in boost): ..... [2.2] kW  
 Connection rating: ..... 7400 W  
 Voltage: ..... 220-240 V  
 Frequency: ..... 50; 60 Hz  
 Energy input: ..... Electric  
 Plug type: ..... No plug (electrical connection by electrician)  
 Appliance Dimensions (h x w x d) (in): ..... x x  
 Dimensions of the packed product: ..... 4.96 x 23.93 x 37.51  
 Net weight: ..... 28.000 lbs  
 Gross weight: ..... 36.000 lbs  
 Total number of positions that can be used at the same time: ..... 3  
 Length electrical supply cord: ..... 110.0 cm  
 Min. required niche size for installation (HxWxD): .....51 x 560-560 x 490-500 mm  
 Dimensions: ..... 51x710x527 mm  
 Dimensions of the packed product (HxWxD): ..... 126 x 953 x 608 mm  
 Net weight: ..... 12.5 kg  
 Gross weight: ..... 16.2 kg



## **Series 8, Induction hob, 70 cm, Black, PID775DC1E**

**The induction hob with PerfectFry: achieve perfect frying results thanks to automatic temperature control.**

---

### **Power and size**

- Cooking zones: 1 x Ø 210 mm, 260 mm, 320 mm, 2.2 KW (max. power 3.7 KW) Induction; 1 x Ø 145 mm, 1.4 KW (max. power 2.2 KW) Induction; 1 x Ø 210 mm, 1.8 KW (max. power 3.7 KW) Induction
- 17 power levels

### **Design**

- Comfort profile
- 70cm cooktop suitable for 60cm cutout
- DirectSelect Premium touch control

### **Comfort**

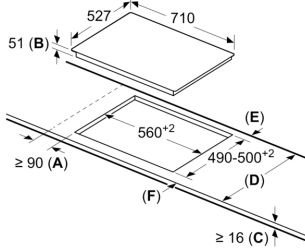
- PerfectFry sensor with 5 temperature settings
- 3 induction cooking zones
- 1 triple zone
- Digital display
- Switch off timer for every cooking zone Timer
- QuickStart Function
- ReStart Function
- Energy consumption display
- 2 stage residual heat indicator
- Main switch
- Automatic pan recognition sensor PowerManagement Function
- Safety switch-off Childproof lock Wipe protection function
- PowerBoost function for all zones

### **Technical Information**

- Dimensions of the product (HxWxD mm): 51 x 710 x 527
- Required niche size for installation (HxWxD mm) : 51 x 560 x (490 - 500)
- Min. worktop thickness: 16 mm mm
- Cable included
- Connection cable 110 cm
- Connected load: 7400 W W

**Series 8, Induction hob, 70 cm,  
Black,  
PID775DC1E**

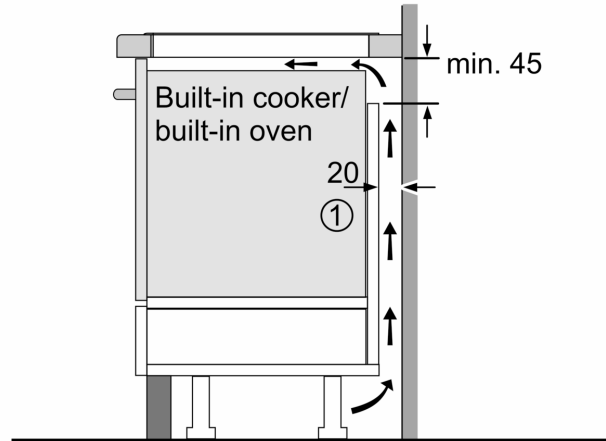
measurements in mm



- A: Minimum distance from the hob cut-out to the wall.
- B: Recessed depth
- C: The clearance between the surface of the worktop and the top of the front of the oven must be 30 mm. See space requirements for the oven.

The worktop into which the hob is installed must withstand loads of approx. 60 kg; suitable substructures must be used if required.

D	E	F
585-600	50	≥ 35
> 600	≥ 50	≥ 50



① Ventilation gap must be present

All measurements in mm

